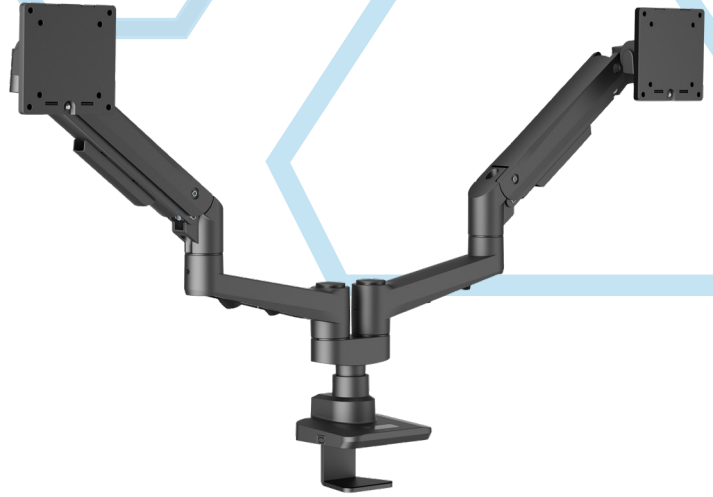


DMV02

DUAL SWING ARM DESK MOUNT WITH GAS SPRING FOR 19"-35" SCREENS

DMV02 with double arms with gas spring for two 19"-35" monitors was designed for users who value ergonomics while working at a computer. The full monitor height adjustment combined with 360° arm rotation gives the possibility of adjusting the screens to individual user needs and provides excellent comfort during office work. Two types of desk mounts allow for any assembly, increasing its functionality. DMV02 is the perfect choice for people working with monitors all day long, e.g. in industry, transport or monitoring centres. This mount is a perfect choice for users who value both functionality and aesthetics.

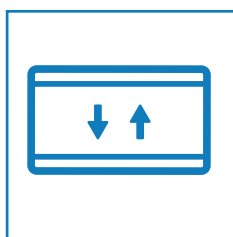
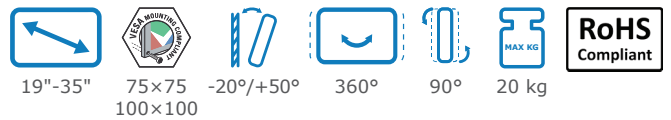


FEATURES

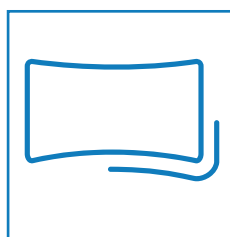
- Screen tilting adjustment by -20° to +50°
- 90° right-left screen position adjustment
- Height adjustment
- 2 types of desk fastenings included
- Cable management system
- Modern design
- Simple and quick installation

PRODUCT SPECIFICATIONS

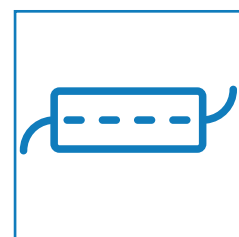
Short index	DMV02
Product group	Display Mounts
Category	Desktop Monitor Mounts
Colour	Black
Warranty	Limited 5-years
Number of screens	2
Minimum screen size	19"
Maximum screen size	35"
Maximum load	20 kg
Arm rotation	360°
Left-right rotation	90°
Forward tilting	-20°/+50°
VESA Mounting Compatibility	75×75 up to 100×100



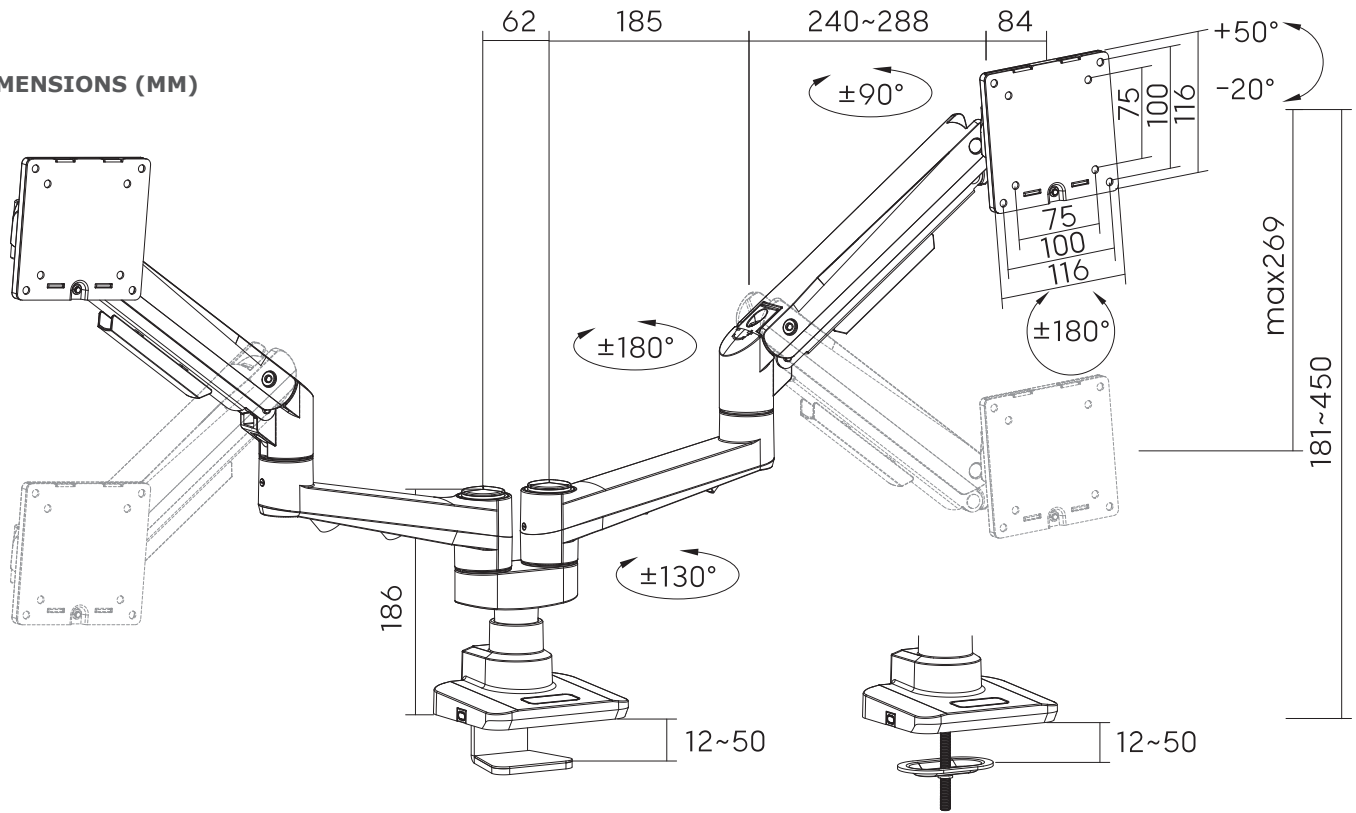
Gas spring



Curved



Cable management system

DIMENSIONS (MM)

TECHNICAL SPECIFICATIONS

Product dimensions	W: 247 mm D: 116 mm H: 186 mm (W: 9,72" D: 4,56" H: 7,32")
Product weight	6,41 kg (14,13 lb)
Max. distance from mounting surface	450 mm (17,71")
Min. distance from mounting surface	181 mm (7,12")
Max. mounting pattern	100 mm x 100 mm
Min. mounting pattern	75 mm x 75 mm

LOGISTICS DATA

SAP INDEKS	EAN CODE	COLOUR	PACKAGE DIMENSIONS	PACKAGE WEIGHT
TOWH-UBI-DMV02	5902841102538	BLACK	418 x 300 x 132 mm (16,45" x 11,81" x 5,19")	7 kg (14,8 lb)

HS Code (Harmonized System): 732690, HTS Code (Harmonized Tariff Schedule): 7326909890, Country of Origin: Poland

ACCESSORIES AND RELATED PRODUCTS


DMV01

2022 - EDBAK Sp. z o.o. All rights reserved.
 The information included in the specification reflects the current technical specifications at the time of printing. We reserve the right to modify technical or physical specifications without prior notice. EDBAK name and EDBAK logo are registered trademarks of EDBAK Sp. z o.o. All EDBAK images and symbols are sole property of EDBAK Sp. z o.o. Edbak shall not be held liable for any loss or damage caused by incorrect installation or mounting. Copying this specification in whole or in part is only allowed after obtaining written consent from EDBAK Sp. z o.o.
 DMV02 - 211101-EN