

# PHILIPS

Professional  
Display Solutions

4518x series

# User Manual

24HFL4518  
32HFL4518  
43HFL4518U  
50HFL4518U  
55HFL4518U  
65HFL4518U

# Content

---

<b>1 Setting Up</b>	<b>3</b>	<b>9 Android TV Home Screen</b>	<b>17</b>
1.1 Read Safety	3	9.1 About the Android TV Home Screen	17
1.2 TV Stand and Wall Mounting	3	9.2 Open the Android TV Home Screen	17
1.3 Tips on Placement	3	9.3 Android TV Settings	17
1.4 Power Cable	3	9.4 Device Preferences	22
1.5 Antenna Cable	4	9.5 Accessories	26
1.6 Satellite Dish	4		
<b>2 Switching On and Off</b>	<b>5</b>	<b>10 Help and Support</b>	<b>27</b>
		10.1 Troubleshooting	27
		10.2 Switch On and Remote Control	27
<b>3 Remote Control</b>	<b>6</b>	10.3 Channels	27
3.1 Key Overview	6	10.4 Picture	27
3.2 IR Sensor	7	10.5 Sound	27
3.3 Batteries	7	10.6 Connections	28
3.4 Cleaning	7	10.7 Wi-Fi, Internet and Bluetooth®	28
		10.8 Network	28
<b>4 Specifications</b>	<b>8</b>	10.9 Online Help	29
4.1 Environmental	8	10.10 Support and Repair	29
4.2 End of Use	8		
4.3 Power	8	<b>11 Safety and Care</b>	<b>30</b>
4.4 Reception	8	11.1 Safety	30
4.5 Display Type	8	11.2 Screen Care	31
4.6 Display Input Resolution	9	11.3 Health Care Facility Apparatus	31
4.7 Connectivity	9		
4.8 Sound	9	<b>12 Terms of Use</b>	<b>32</b>
4.9 Multimedia	9	12.1 Terms of Use - TV	32
		12.2 Hospitality Settings Only	32
<b>5 Connect Devices</b>	<b>10</b>		
5.1 About Connections	10	<b>13 Copyrights</b>	<b>33</b>
5.2 Home Theatre System - HTS	11	13.1 Dolby Audio	33
5.3 Video Device	11	13.2 Dolby ATMOS	33
5.4 Audio Device	12	13.3 DTS-HD	33
5.5 USB Flash Drive	12	13.4 HDMI	33
		13.5 Kensington	33
<b>6 Bluetooth®</b>	<b>13</b>	13.6 Other Trademarks	33
6.1 What You Need	13		
6.2 Pairing a Device	13	<b>14 Open Source</b>	<b>34</b>
6.3 Remove a Device	13	14.1 Open Source Licenses	34
<b>7 Smartphones and Tablets</b>	<b>14</b>	<b>Index</b>	<b>35</b>
7.1 Google Cast	14		
<b>8 Professional mode</b>	<b>15</b>		
8.1 What you can do	15		
8.2 Open the Professional Menu	15		
8.3 Professional settings menu	15		

# 1. Setting Up

---

## 1.1. Read Safety

Read the safety instructions first before you use the TV.

---

## 1.2. TV Stand and Wall Mounting

### TV Stand

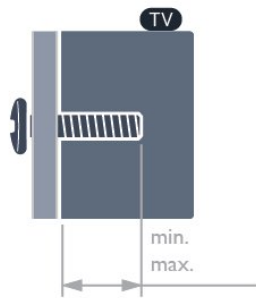
You can find the instructions for mounting the TV stand in the Quick Start Guide that came with the TV. In case you lost this guide, you can download it from [www.philips.com](http://www.philips.com).

Use the product type number of the TV to look for the **Quick Start Guide** to download.

### Wall Mounting

Your TV is also prepared for a VESA-compliant wall mount bracket (sold separately).

Use the following VESA code when purchasing the wall mount . . .



- 24HFL4518  
75x75, M4 (Min.: 6 mm, Max.: 8 mm)
- 32HFL4518  
100x100, M4 (Min.: 6 mm, Max.: 8 mm)
- 43HFL4518U  
100x200, M6 (Min.: 8 mm, Max.: 10 mm)
- 50HFL4518U  
100x200, M6 (Min.: 10 mm, Max.: 20 mm)
- 55HFL4518U  
100x200, M6 (Min.: 10 mm, Max.: 20 mm)
- 65HFL4518U  
200x200, M6 (Min.: 12mm, Max.: 18 mm)

### Caution

Wall mounting the TV requires special skills and should only be performed by qualified personnel. The TV wall mounting should meet safety standards according to the TV's weight. Also read the safety precautions before positioning the TV.

TP Vision Europe B.V. bears no responsibility for improper mounting or any mounting that results in accident or injury.

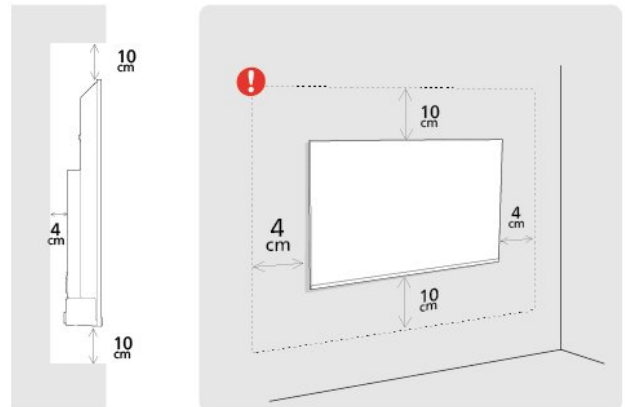
---

## 1.3. Tips on Placement

### Proper ventilation of the TV

When installing the TV, please ensure minimum distances of 4 cm at back and left/right side and 10 cm on top and bottom side from other obstructions (wall, cabinet, etc) to ensure proper ventilation.

Failing to do so may result in fire or a problem with the TV caused by an increase of the internal temperature.



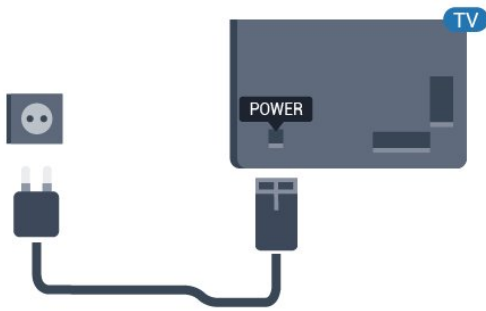
### Note:

Please keep the TV away from dust-producing sources such as stoves. It is suggested to clean the dust regularly to avoid getting dust into the TV.

---

## 1.4. Power Cable

- Insert the power cable into the **POWER** connector on the back of the TV.
- Make sure the power cable is securely inserted in the connector.
- Make sure that the power plug, in the wall socket, is accessible at all times.
- When you unplug the power cable, always pull the plug, never pull the cable.



Although this TV has a very low standby power consumption, unplug the power cable to save energy if you do not use the TV for a long period of time.

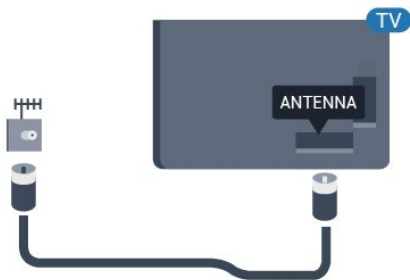
---

## 1.5. Antenna Cable

Insert the antenna plug firmly into the **Antenna** socket at the back of the TV.

You can connect your own antenna or an antenna signal from an antenna distribution system. Use an IEC Coax 75 Ohm RF antenna connector.

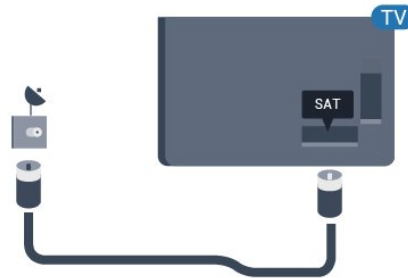
Use this antenna connection for antenna digital or analogue input signals.



---

## 1.6. Satellite Dish

Attach the satellite F-type connector to the satellite connection **SAT** at the back of the TV.



## 2. Switching On and Off

---

Make sure the TV is connected to the mains AC power. The indicator light at the bottom of the TV lights up.

### Switch on

Press **Power** on the remote control to switch the TV on. You can also press the small joystick key on the bottom of the TV to switch the TV on in case you can't find the remote control or its batteries are empty.

### Switch to standby

To switch the TV to standby, press **Power** on the remote control. You can also press the small joystick key on the bottom of the TV.

In standby mode, the TV is still connected to the mains power but consumes very little energy.

To switch off the TV completely, disconnect the power plug.

When disconnecting the power plug, always pull the power plug, never the cord. Ensure that you have full access to the power plug, power cord and outlet socket at all times.

# 3. Remote Control

## 3.1. Key Overview

### Top



**1 - Power (Standby / On)**

To switch the TV on or back to Standby.

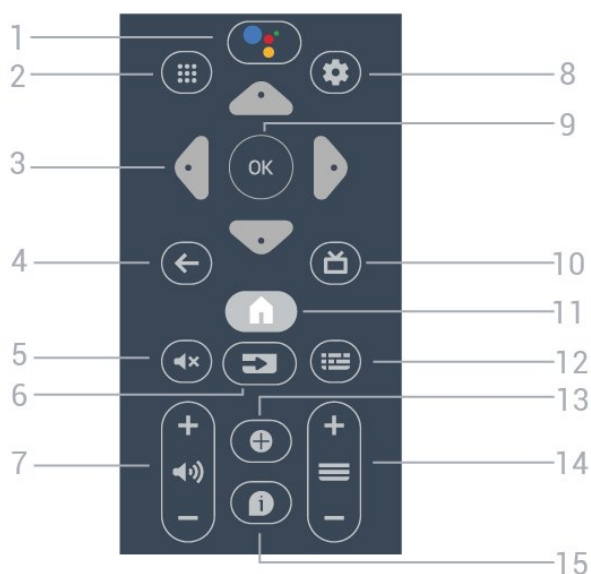
**2 - Smart Info (Only in Professional Mode ON)**

Press to open general information about all services that hotel offers (such as breakfast timings, bike rental or on the airport shuttle service).

**3 - Google Cast (Only in Professional Mode ON)**

Open the cast wizard to guide you through the steps to enable casting from mobile devices.

### Middle



**1 - Google Assistant™**

To launch the Google Assistant™.

**2 - Apps**

To show the available apps on the TV.

**3 - Arrow / navigation keys**

To navigate up  $\blacktriangle$ , down  $\blacktriangledown$ , left  $\blacktriangleleft$  or right  $\blacktriangleright$ .

**4 - BACK**

- To switch back to the previous channel you selected.
- To return to previous menu.

**5 - Mute**

To mute the sound or to restore it.

**6 - SOURCES**

- To open or close the Sources menu.

**7 - Volume**

To adjust the volume level.

**8 - SETTINGS**

To open the settings menu.

**9 - OK key**

To confirm a selection or setting.

**10 - TV**

To switch back to watching TV.

**11 - Home**

To open the Home menu.

**12 - TV GUIDE**

To open a list of the current and scheduled TV programmes of your channels. (Not available for all TV programmes.)

**13 - OPTIONS**

To open or close the options menu.

**14 - Channel**

To switch to the next or previous channel in the channel list.

**15 - Info**

Turn the program information on or off.

### Bottom



1 -     color keys

Direct selection of options.

2 - Number keys

To select a channel directly.

3 -  CC

Turn ON/Off the Closed Captions.

4 - AD

Switch on Audio Description for accompanying audio commentary on a programme.

---

## 3.2. IR Sensor

The TV can receive commands from a remote control that uses IR (infrared) to send commands. If you use such a remote control, always make sure you point the remote control at the infrared sensor on the front of the TV.

### Warning

Do not put any objects in front of IR sensor of the TV, it may block the IR signal.

---

## 3.3. Batteries

If the TV does not react on a key press on the remote control, the batteries might be empty.

To replace the batteries, open the battery compartment on the back-bottom of the remote control.

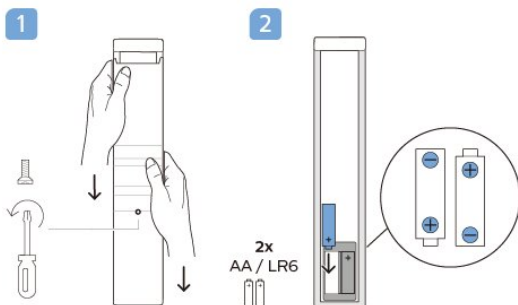
1 - Slide the battery door.

2 - Replace the old batteries with 2 type AA batteries. Make sure the + and the - ends of the batteries line up correctly.

3 - Reposition the battery door and slide it back until it clicks.

Remove the batteries if you are not using the remote control for a long time.

Safely dispose of your old batteries according to the end of use directions.



---

## 3.4. Cleaning

Your remote control is treated with a scratch-resistant coating.

To clean the remote control, use a soft damp cloth. Never use substances such as alcohol, chemicals or household cleaners on the remote control.

# 4. Specifications

---

## 4.1. Environmental

### Product Information sheet

#### EPREL registration number

24HFL4518/12 : 1827408  
32HFL4518/12 : 1827409  
43HFL4518U/12 : 1827411  
50HFL4518U/12 : 1827412  
55HFL4518U/12 : 1827413  
65HFL4518U/12 : 1827415

---

## 4.2. End of Use

### Disposal of your old product and batteries

Your product is designed and manufactured with high quality materials and components, which can be recycled and reused.



When this crossed-out wheeled bin symbol is attached to a product it means that the product is covered by the European Directive 2012/19/EU.



Please inform yourself about the local separate collection system for electrical and electronic products.

Please act according to your local rules and do not dispose of your old products with your normal household waste. Correct disposal of your old product helps to prevent potential negative consequences for the environment and human health.

Your product contains batteries covered by the European Directive 2006/66/EC, which cannot be disposed with normal household waste.



Please find out for yourself about the local rules on separate collection of batteries because correct disposal will help to prevent negative consequences for the environment and human health.

---

## 4.3. Power

Product specifications are subject to change without notice. For more specification details of this product, see [www.philips.com/TVsupport](http://www.philips.com/TVsupport)

- Mains power : AC 110-240V +/-10%
- Ambient temperature : 5°C to 35°C
- Power saving features : Sleep timer, Switch off timer, Picture off, No Signal Auto Power Off, Auto sleep.

#### Power consumption

- 24HFL4518/12: 50W
  - 32HFL4518/12: 65W
  - 43HFL4518U/12: 105W
  - 50HFL4518U/12: 115W
  - 55HFL4518U/12: 135W
  - 65HFL4518U/12: 170W
- 

## 4.4. Reception

- Aerial input : 75 ohm coaxial (IEC75)
  - Tuner bands : Hyperband, S-Channel, UHF, VHF
  - DVB : DVB-T2, DVB-C (cable) QAM
  - Analogue video playback : SECAM, PAL
  - Digital video playback : MPEG2 SD/HD (ISO/IEC 13818-2), MPEG4 SD/HD (ISO/IEC 14496-10), HEVC
  - Digital audio playback (ISO/IEC 13818-3)
  - Satellite aerial input : 75 ohm F-type
  - Input frequency range : 950 to 2150MHz
  - Input level range : 25 to 65 dBm
  - DVB-S/S2 QPSK, symbol rate 2 to 45M symbols, SCPC and MCPC
  - LNB : DiSeqC 1.0, 1 to 4 LNBs supported, Polarity selection 13/18V, Band selection 22kHz, Tone burst mode, LNB current 300mA max
- 

## 4.5. Display Type

#### Diagonal screen size

- 24HFL4518: 60 cm
- 32HFL4518: 80 cm
- 43HFL4518U: 108 cm
- 50HFL4518U: 126 cm
- 55HFL4518U: 139 cm
- 65HFL4518U: 164 cm



- Display resolution

24" / 32" : 1360 x 768

43" ~ 65" : 3840 x 2160

---

## 4.6. Display Input Resolution

### Supported Video only resolution

Resolution — Refresh rate

- 480i - 60 Hz
- 576i - 50 Hz
- 1080i - 50 Hz, 60 Hz

### Supported Computer/Video resolution

Resolution — Refresh rate

- 640 x 480 - 60Hz
- 576p - 50Hz
- 720p - 50Hz, 60Hz
- 1920 x 1080p - 24Hz, 25Hz, 30Hz, 50Hz, 60Hz
- 3840 x 2160p - 24Hz, 25Hz, 30Hz, 50Hz, 60Hz

---

## 4.7. Connectivity

### TV Side

- Common Interface slot: CI+/CAM
- USB 1: USB 2.0
- Headphones: Stereo mini-jack 3.5mm
- HDMI 1 in: ARC - Ultra HD - HDR

### TV Bottom

- Digital Audio out: Optical
- IR IN/OUT
- Network LAN: RJ45
- Satellite tuner
- Antenna (75 ohm)
- 8 Ω Audio out
- HDMI 2 in: Ultra HD - HDR
- HDMI 3 in: Ultra HD - HDR

---

## 4.8. Sound

Output power (RMS) : 20W

Dolby MS12 V2.5

- Dolby Atmos
- DTS – HD (M6)
- Surround Virtualizer + Height Virtualizer
- Dolby Bass Enhancement
- Dolby Dialogue Enhancement
- Dolby Volume (AVL/Night Mode)
- AI Sound

---

## 4.9. Multimedia

### Connections

- USB 2.0
- Ethernet LAN RJ-45
- Wi-Fi 802.11n Dual Band (built-in)
- Bluetooth® 5.0

### Supported USB file systems

- FAT 16, FAT 32, NTFS

### Playback formats

- Containers: PS, TS, M2TS, TTS, AVCHD, MP4, M4V, MKV, ASF, AVI, 3GP, Quicktime
- Video Codecs : AVI, MKV, HEVC, H264/MPEG-4 AVC, MPEG-1, MPEG-2, MPEG-4, VP9, HEVC (H.265), AV1
- Audio Codecs : MP3, WAV, AAC
- Subtitles :
  - Formats : SRT, SMI, SSA, SUB, ASS, TXT
  - Character encodings : UTF-8(Unicode), UTF-16, Simplified Chinese, Central Europe, Cyrillic, Western Europe, Greek, Turkish, Hebrew, Korean
- Maximum Supported Data Rate :
  - MPEG-4 AVC (H.264) is supported up to High Profile @ L5.1. 30Mbps
  - H.265 (HEVC) is supported up to Main / Main 10 Profile up to Level 5.1 40Mbps
- Image Codecs : JPEG, GIF, PNG, BMP, HEIF

# 5. Connect Devices

## 5.1. About Connections

### Connectivity Guide

Always connect a device to the TV with the highest quality connection available. Also, use good quality cables to ensure a good transfer of picture and sound.

When you connect a device, the TV recognizes its type and gives each device a correct type name. You can change the type name if you wish. If a correct type name for a device is set, the TV automatically switches to the ideal TV settings when you switch to this device in the Sources menu.

### Antenna port

If you have a Set-top box (a digital receiver) or Recorder, connect the antenna cables to run the antenna signal through the Set-top box and/or Recorder first before it enters the TV. In this way, the antenna and the Set-top box can send possible additional channels to the Recorder to record.

### HDMI ports

#### HDMI Quality

An HDMI connection has the best picture and sound quality. One HDMI cable combines video and audio signals. Use an HDMI cable for TV signal.

For best signal quality transfer, use a High speed HDMI cable and do not use an HDMI cable longer than 5 m.



#### Copy protection

HDMI cables support HDCP (High-bandwidth Digital

Content Protection). HDCP is a copy protection signal that prevents copying content from a DVD disc or Blu-ray Disc. Also referred to as DRM (Digital Rights Management).

#### HDMI ARC

Some of the HDMI connections on the display have **HDMI ARC** (Audio Return Channel).

If the device, typically a Home Theatre System (HTS), also has the HDMI ARC connection, connect it to the HDMI ARC connection on this display. With the HDMI ARC connection, you do not need to connect the extra audio cable that sends the sound of the display picture to the HTS. The HDMI ARC connection combines both signals.

You can use HDMI ARC connection on this display to connect the HTS but ARC is only available for 1 device/connection at a time.



#### HDMI CEC

Connect HDMI CEC-compatible devices to your TV, you can operate them with the TV remote control.



HDMI CEC (Consumer Electronic Control) must be switched on on the TV and the connected device.

#### Switch on CEC

Allow the TV to control HDMI device.

Home > Settings > Device Preferences > Inputs > HDMI control.

## Device auto power off

Turn off the HDMI devices with the TV.

Home > Settings > Device Preferences > Inputs > Device auto power off.

## TV auto power on

Power on the TV with HDMI devices.

Home > Settings > Device Preferences > Inputs > TV auto power on.

## HDMI EDID Version

Check the HDMI EDID version number.

Home > Settings > Device Preferences > Inputs > HDMI EDID Version.

## CEC Device List

Check the connected HDMI CEC device list.

Home > Settings > Device Preferences > Inputs > CEC device list.

## Note:

- HDMI CEC might not work with devices from other brands.
- The HDMI CEC functionality has different names on different brands. Some examples are: Anynet, Aquos Link, Bravia Theatre Sync, Kuro Link, Simplink and Viera Link. Not all brands are fully compatible with EasyLink. Example HDMI CEC branding names are property of their respective owners.

---

## 5.2. Home Theatre System - HTS

### Connect with HDMI ARC

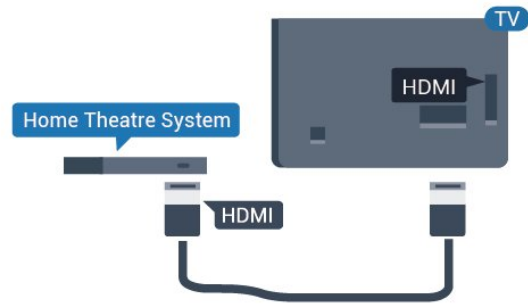
Use an HDMI cable to connect a Home Theatre System (HTS) to the TV. You can connect a Philips Soundbar or an HTS with a built-in disc player.

#### HDMI ARC

If your Home Theatre System has an HDMI ARC connection, you can use HDMI ARC connection on the TV to connect. With HDMI ARC, you do not need to connect the extra audio cable. The HDMI ARC connection combines both signals.

HDMI ARC connection on the TV can offer the Audio Return Channel (ARC) signal. But once you have connected the Home Theatre System, the TV can only

send the ARC signal to this HDMI connection.



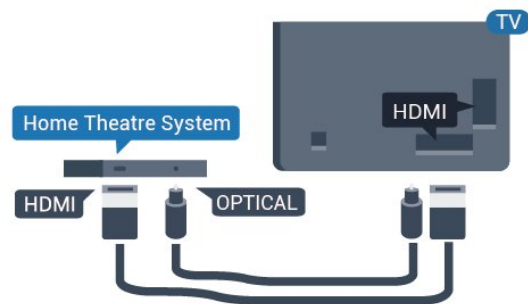
### Audio to video synchronisation (sync)

If the sound does not match the video on screen, you can set a delay on most Home Theatre Systems with a disc player to match the sound with the video.

## Connect with HDMI

Use an HDMI cable to connect a Home Theatre System (HTS) to the TV. You can connect a Philips Soundbar or an HTS with a built-in disc player.

If the Home Theatre System has no HDMI ARC connection, add an optical audio cable (Toslink) to send the sound of the TV picture to the Home Theatre System.



### Audio to video synchronisation (sync)

If the sound does not match the video on screen, you can set a delay on most Home Theatre Systems with a disc player to match the sound with the video.

\*Not all TV support Optical (Toslink) function.

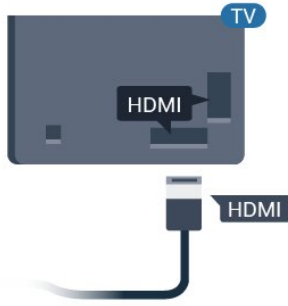
---

## 5.3. Video Device

### HDMI

Use a **High speed HDMI** cable to connect with best picture and sound quality.

For best signal quality transfer, use a High speed HDMI cable and do not use an HDMI cable longer than 5 m, and also connect devices supporting HDR on any one of HDMI connections.



### Copy protection

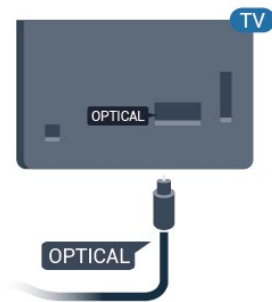
HDMI ports support HDCP (High-bandwidth Digital Content Protection). HDCP is a copy protection signal that prevents copying content from a DVD disc or Blu-ray Disc. Also referred to as DRM (Digital Rights Management).

## 5.4. Audio Device

### Digital Audio Out - Optical

Audio Out - Optical is a high quality sound connection.

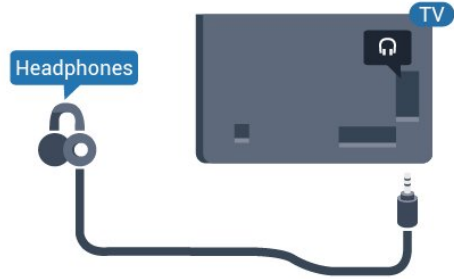
This optical connection can carry 5.1 audio channels. If your device, typically a Home Theatre System (HTS), has no HDMI ARC connection, you can use this connection with the Audio In - Optical connection on the HTS. The Audio Out - Optical connection sends the sound from the TV to the HTS.



## Headphones

You can connect a set of headphones to the headphone connector on the back of the TV. The connection is a mini-jack 3.5mm.

\* Note: TV Speakers will be muted when the Headphones are plugged in.



## 5.5. USB Flash Drive

You can view photos or play your music and videos from a connected USB flash drive.

Insert a USB flash drive in one of the **USB** connections on the TV while the TV is switched on.



The TV detects the flash drive and opens a list showing its content.

If the contents list does not appear automatically...

Professional Mode

OFF – Press **Home**, select Apps, select Sources. Choose USB press OK.

Professional Mode On – Press **Home**, select **TV Channels** , select SOURCES. Choose **USB** and press OK.

To stop watching the USB flash drive content, press or select another activity.

To disconnect the USB flash drive, you can pull out the flash drive anytime.

---

## 6. Bluetooth®

---

### 6.1. What You Need

You can connect a wireless device with Bluetooth® to this TV – a wireless speaker or headphones.

To enable the TV audio on a wireless speaker, you must pair the wireless speaker with the TV. The TV can only play the sound on one speaker at a time.

#### Attention

Before you purchase a wireless Bluetooth® speaker system, please find out more about the newest models and look for a device with a low latency rating. Ask your dealer for advice.

#### Disclaimer:

Due to the transmission limitations of Bluetooth® wireless technology, a slight sound delay might occur when you hear audio from your Bluetooth® headphone or Bluetooth® speakers.

When this occur, you might see the character moving his or her mouth but there is a slight delay in spoken dialog accompany it – commonly known as lip Sync error.

---

### 6.2. Pairing a Device

Position the wireless speaker within a distance of 5 meters from the TV. Read the user manual of the device for specific information on pairing and on wireless range. Make sure the Bluetooth® setting on TV is switched on.

Once a wireless speaker is paired, you can select it to play the TV sound. When a device is paired, you do not need to pair it again unless you remove the device.

To pair a Bluetooth® device with the TV...

- 1 - Switch on the Bluetooth® device and place it within range of the TV.
- 2 - Press **Home** > **Settings** > **Accessories** and press **OK**.
- 3 - Follow the instructions on screen. You will pair the device with the TV and the TV will store the connection. You might need to unpair a paired device first if the maximum number of paired devices was reached.
- 4 - Press **Back**, repeatedly if necessary, to close the menu.

---

### 6.3. Remove a Device

You can connect or disconnect a wireless Bluetooth® device. You can also remove a wireless Bluetooth® device. If you remove a Bluetooth® device, the device will be unpaired.

To remove or disconnect a wireless device...

- 1 - Press **Home** > **Settings** > **Accessories** and press **OK**.
- 2 - In the list, select the wireless device and press **OK**.
- 3 - Select **Unpair** and press **OK**.
- 4 - Press **Back**, repeatedly if necessary, to close the menu.

# 7. Smartphones and Tablets

---

## 7.1. Google Cast

### What You Need

If an app on your mobile device has Google Cast, you can cast your app on this TV. On the mobile app, look for the Google Cast icon. You can use your mobile device to control what's on TV. Google Cast works on Android and iOS.

Your mobile device must be connected to the same Wi-Fi network as your TV.

### Apps with Google Cast

New Google Cast apps come available every day. You can already try it with YouTube, Chrome, Photowall ... or Big Web Quiz for Chromecast. See also [google.com/cast](http://google.com/cast)

Some Google Play products and features aren't available in all countries.

Find more information on [www.support.google.com/androidtv](http://www.support.google.com/androidtv)

### Cast to Your TV

To cast an app to the TV screen...

- 1 - On your smartphone or tablet, open an app that supports Google Cast.
- 2 - Tap the Google Cast icon.
- 3 - Select the TV you would like to cast to.
- 4 - Press play on your smartphone or tablet. What you selected should start playing on TV.

# 8. Professional mode

---

## 8.1. What you can do

The Professional Mode will be already set to On if it was selected during the Virgin installation procedure. In professional mode, you can configure the TV for hotel use.

Features include:

- Changing professional setup items, such as power and speaker settings.
- Select the movie or display show from your library in the app.
- Cast an app to the TV screen.

---

## 8.2. Open the Professional Menu

To enjoy the full capabilities of your Philips Android TV, your TV must be connected to the Internet.

Professional Mode OFF - Please refer to Chapter "Android TV Home Screen". Professional Menu is not available while in OFF Mode.

Professional Mode ON - Please refer to the Professional Installation manual for the access and use of the Professional Menu.

The Home launcher :

From here you can decide what to watch by browsing entertainment options from app and live TV. Your Home has channels to let you discover great contents from your favourite apps. You can also add additional channels or find new apps to get more contents. When opening the Professional Menu, the background application/content playback will stop. You have to select the application or content from the Professional Menu to resume.

---

## 8.3. Professional settings menu

## Notification

System notifications tell you about things like low storage or connectivity issues. The system only displays these when they either aren't interrupting immersive app experiences or if the notification is critical to system function.

## Inputs

From the list of Inputs, you can switch to any of the connected devices to watch TV or open the content of a connected USB storage device to watch their programme.

## Settings

---

### Channel

To start watching TV channels, press **SOURCES**. The TV tunes to the channel you last watched.

### Switch Channels

To switch channels, press Channel + or Channel -. If you know the channel number, type in the number with the number keys. Press OK after you entered the number to switch immediately.

### Parental Controls

To prevent children from watching a channel, you can lock a channel. To watch a locked channel, you must enter the 4 digit PIN code first. You cannot lock programmes from connected devices.

1

- Press **Home** > **Settings** > **Channel** > **Parental Controls** > and press **OK**.

2 - Enter your PIN code if necessary

3 - Select **Input Blocked**, and press **OK**.

4 - Press Navigation keys up or down to select the source you want to lock or unlock, and press **OK**.

5 - A locked source is marked with a lock icon.

6 - Press **Back**, repeatedly if necessary, to close the menu.

To prevent from using connected devices, you can lock an input source. To connect a locked input source, you must enter the 4 digit PIN code first.

To lock or unlock a channel...

1 - Press **Home** > **Settings** > **Channel** > **Parental Controls** and press **OK**.

2 - Enter your PIN code if necessary.

3 - Select **Channels Blocked** and press **OK**.

4 - Press **Navigation** keys up or down to select the channel you want to lock or unlock, and press **OK**.

5 - A locked channel is marked with a lock icon.

6 - Press **Back**, repeatedly if necessary, to close the menu.

\* Note: if you forgot your PIN code, you can override the current one by using the code **8888** and entering a new one.

### Set new or reset PIN code...

- 1 - Press **Home** > **Settings** > **Channel** > **Parental Controls** and press **OK**.
- 2 - Enter your PIN code if necessary.
- 3 - Select **Change PIN** and press **OK**.
- 4 - Enter the current PIN code and new PIN code.
- 5 - Press **Back**, repeatedly if necessary, to close the menu.

---

## Accounts and Sign-In

To enjoy the full capabilities of your Philips Android TV, you can sign in to Google with your Google Account. By signing in you'll be able to play your favourite games across phone, tablet and TV. You'll also get customised video and music recommendations on your TV home screen as well as access to YouTube, Google Play and other apps.

### Sign In

Use your existing Google Account to sign in to Google on your TV. A Google Account consists of an email address and a password. If you don't have a Google Account yet, use your computer or tablet to create one (accounts.google.com). To play games with Google Play, you need a Google+ profile. If you did not sign in during the first TV installation, you can always sign in later.

### To sign in after the TV installation...

- 1 - Select **Settings**.
- 2 - Select **Account & Sign-In** and press **OK**.
- 3 - Select **Sign In**, and press **OK**.
- 4 - Select **Use your remote** and press **OK**.
- 5 - With the on-screen keyboard, enter your email address and press **OK**.
- 6 - Enter your password and press **OK** to sign in.
- 7 - Press **Navigation** keys left repeatedly if necessary, to close the menu.

---

## Device Preferences

---

### Language

#### Change the language of the TV menu and messages.

- 1 - Press **Home** to go to Home screen.
- 2 - Select **Device Preferences** > **Language**.
- 3 - Select your language and press **OK**.
- 4 - Press **Back** repeatedly to close the menu.

---

## Power

Home > Settings > Device Preferences > Power

### Set Sleep timer

Power > Sleep timer.

TV switches to standby mode automatically after a preset time.

### Set screen off to save energy consumption

Power > Picture off.

Select **Picture off**, the TV screen is switched off, to switch the TV screen back on, press any key on the remote control.

---

## Picture

### Picture Mode

Home > Settings > Device Preferences > Picture > Picture mode

For easy picture adjustment, you can select a preset picture style.

- **User** - The picture preferences you set during the first start up.
- **Standard** - Most energy conscious setting - Factory setting
- **Vivid** - Ideal for daylight viewing
- **Sport** - Ideal for sport
- **Movie** - Ideal for watching movies with original studio effect
- **Game\*** - Ideal for playing games

\* Picture mode - Game is not available for some video sources.

---

## Sound

### Sound Mode

Home > Settings > Device Preferences > Sound > Sound Mode

For easy sound adjustment, you can select a preset setting with sound mode.

- **Game** - Ideal for gaming
- **Movie** - Ideal for watching movies
- **Music** - Ideal for listening to music
- **Dialogue** - Ideal for speech
- **AI mode** - Select AI mode for intelligent switching of sound mode base on audio content.
- **User** - The sound preferences you set during the first start up



# 9. Android TV Home Screen

---

## 9.1. About the Android TV Home Screen

To enjoy the benefits of your Android TV, connect the TV to the Internet.

Like on your Android smartphone or tablet, the Home screen is the centre of your TV. From the Home screen you can decide what to watch by browsing entertainment options from app and live TV. Your Home has channels to let you discover great contents from your favourite apps. You can also add additional channels or find new apps to get more contents.

---

## 9.2. Open the Android TV Home Screen

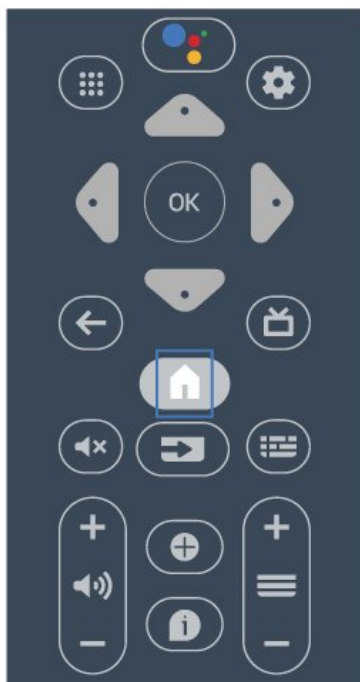
Professional Mode ON - Please refer to the installation manual to switch the Professional Mode ON or OFF.

Professional Mode OFF - To open the Android TV Home Screen and open an item...

1 - Open the Android TV Home Screen by pressing **Home**.

2 - Select an activity using the arrow keys and press **OK** to start the activity.

3 - To close the Home menu without changing the current activity, press **←**.



When opening the Android display Home screen, the background application/content playback will stop. You have to select the application or content from the Android display Home screen to resume.

---

## 9.3. Android TV Settings

### Network and Internet

---

#### Home Network

To enjoy the full capabilities of your Philips Android TV, your TV must be connected to the Internet.

Connect the TV to a network with a high-speed Internet connection. You can connect your TV wirelessly or wired to your network router.

---

#### Connect to Network

---

##### Wireless Connection

---

##### What You Need

To connect the TV to the Internet wirelessly, you need a Wi-Fi router with a connection to the Internet.

Use a high-speed (broadband) connection to the Internet.



##### Turn Wi-Fi On or Off

Home > Settings > Network & internet > Wi-Fi.

---

## Make the Connection

Home > Settings > Network & internet > Wi-Fi.

1 - In the list of found networks, select on your wireless network. If your network is not in the list because the network name is hidden (you switched off the SSID broadcast of the router), select **Add new network** to enter the network name yourself.

2 - Follow the on-screen instruction.

3 - A message will be shown when the connection is successful.

---

## Problems

### Wireless network not found or distorted

- Microwave ovens, DECT phones or other Wi-Fi 802.11b/g/n devices in your proximity might disturb the wireless network.
- Make sure that the firewalls in your network allow access to the TV's wireless connection.
- If the wireless network does not work properly in your home, try the wired network installation.

### Internet does not work

- If the connection to the router is OK, check the router connection to the Internet.

### The PC and Internet connection are slow

- Look in your wireless router's user manual for information on indoor range, transfer rate and other factors of signal quality.
- Use a high-speed (broadband) Internet connection for your router.

### DHCP

- If the connection fails, you can check the DHCP (Dynamic Host Configuration Protocol) setting of the router. DHCP should be switched on.

---

## Wired Connection

### What You Need

To connect the TV to the Internet, you need a network router with a connection to the Internet. Use a high-speed (broadband) connection to the Internet.



---

## Make the Connection

- 1 - Connect the router to the TV with a network cable (Ethernet cable\*\*).
- 2 - Make sure that the router is switched on.
- 3 - The TV constantly searches for the network connection.
- 4 - A message will be shown when the connection is successful.

If the connection fails, you can check the DHCP setting of the router. DHCP should be switched on.

\*\*To fulfill EMC regulations, use a shielded FTP Cat. 5E Ethernet cable.

---

## Network Settings

### Proxy settings

Home > Settings > Network & internet > Proxy settings.

Enter a valid proxy hostname manually by selecting **Manual**.

### Network Configuration - IP settings

Home > Settings > Network & internet > IP settings.

If the connection fails, you can check the DHCP setting of the router.

Alternatively, if you are an advanced user and want to

install your network with static IP addressing, set the TV to Static IP.

# Google Account

---

## Sign In

To enjoy the full capabilities of your Philips Android TV, you can sign in to Google with your Google Account.

By signing in you'll be able to play your favourite games across phone, tablet and TV. You'll also get customized video and music recommendations on your TV Home screen as well as access to YouTube, Google Play and other apps.

## Sign In

Use your existing **Google Account** to sign in to Google on your TV. A Google Account consists of an email address and a password. If you don't have a Google Account yet, use your computer or tablet to create one (accounts.google.com). To play games with Google Play, you need a Google+ profile. If you did not sign in during the first TV installation, you can always sign in later.

To sign in after you did the TV installation...

- 1 - Press **Home** and then select **Settings**.
- 2 - Select **Account & Sign-In** and press **OK**.
- 3 - Select **Sign In** and press **OK**.
- 4 - Select **Use your remote** and press **OK**.
- 5 - With the on-screen keyboard, enter your email address and press **OK**.
- 6 - Enter your password and press **OK** to sign in.
- 7 - Press **Navigation keys** left repeatedly if necessary, to close the menu.

# Channel

---

## About Channels and Switch Channels

### To watch TV channels

- Press **SOURCES** and select **TV** to watch channels.
- Alternatively, you can Press **Home** > **Live TV** and press **OK** to watch TV channels. If Live TV is not on your Apps row, you can press + icon on the end of the row to add the app.

### To switch TV channels

- Press **Channel +** or **Channel -** to switch channels.
- If you know the channel number, type in the number with the number keys. Press **OK** after you entered the number to switch channels.

### To switch to a channel from a channel list

- While watching a TV channel, press **OK** to open the channel lists. The channel list only includes the channels from current broadcast source.
- To view different channel list from other broadcast source, press **MENU** > **Navigation Keys** up > **Channel** > **Channel Installation Mode** and select other broadcast source you want to watch channels and view the channel list.

- The channel list can have several pages with channels. To view the next or previous page, follow the on-screen instruction.
- To close the channel lists without switching channels, press **Back**.

---

## Channel Lists

---

### About Channel Lists

After a channel installation, channels appear on the channel list. The channels displayed in All Channel list is listed based on TV source. Channels are shown with their name if this information is available.

With a channel list selected, press **Navigation keys** up or down to select a channel, then press **OK** to watch the selected channel.

TV may not work properly with some operators of digital television, non-compliance with requirements of the standard in full.

---

### Open a Channel List

Next to the list with all channels, you can select a filtered list or you can select one of the favourite lists you created.

### To open the current channel list...

- 1 - While watching TV, press **OK** to open the current channel list.
- 2 - The channel list only includes the channels from current broadcast source like **Antenna** or **Cable**.
- 3 - To view different channel list from other broadcast source, press **Home** > **Settings** > **Channel** > **Channel Installation Mode** and select other broadcast source you want to watch channels and view the channel list.
- 4 - Press **Back** to close the channel list.

---

## Watching channels

---

### Tune to a Channel

To start watching TV channels, press **SOURCES**. The TV tunes to the channel you last watched.

Alternatively, you can select **Live TV** from the Home screen.

### Switch Channels

To switch channels, press **Channel +** or **Channel -**. If you know the channel number, type in the number with the number keys. Press **OK** after you entered the number to switch immediately.

You can also tune to channels from a **Channel List** by pressing **OK**.

---

## Parental Controls

---

### Lock and Unlock a Channel

To prevent children from watching a channel, you can lock a channel. To watch a locked channel, you must enter the 4 digit PIN code first. You cannot lock programmes from connected devices.

#### To lock or unlock a channel...

- 1 - Press **Home** > **Settings** > **Channel** > **Parental Controls** and press **OK**.
- 2 - Enter your PIN code if necessary.
- 3 - Select **Channels Blocked** and press **OK**.
- 4 - Press **Navigation keys** up or down to select the channel you want to lock or unlock, and press **OK**.
- 5 - A locked channel is marked with a lock icon.
- 6 - Press **Back**, repeatedly if necessary, to close the menu.

\* Note: if you forgot your PIN code, you can override the current one by using the code **8888** and entering a new one.

---

## Programme Restrictions

To prevent children from watching a programme that may not be suitable for them, you can set a rating.

Digital channels can have their programmes rated. When the rating of a programme is equal to or higher than the rating you have set, the programme will be locked. To watch a locked programme, you must enter the PIN code first.

#### To set a rating...

- 1 - Press **Home** > **Settings** > **Channel** > **Parental Controls** and press **OK**.
- 2 - Enter your PIN code if necessary.
- 3 - Select **Programme Restrictions** and press **OK**.
- 4 - Select **On** to set the rating.
- 5 - Select **Ratings** and press **OK**.
- 6 - Set the restrictions for your children.
- 7 - Press **Back**, repeatedly if necessary, to close the menu.

To switch off the parental rating, select **None**. However, in some countries you must set a rating.

For some broadcasters/operators, the TV only locks programmes with a higher rating. The parental rating is set for all channels.

---

## Inputs Blocked

To prevent from using connected devices, you can lock an input source. To connect a locked input source, you must enter the 4 digit PIN code first.

#### To lock or unlock an input source...

- 1 - Press **Home** > **Settings** > **Channel** > **Parental Controls** and press **OK**.
- 2 - Enter your PIN code if necessary.
- 3 - Select **Input Blocked** and press **OK**.
- 4 - Press **Navigation keys** up or down to select the source you want to lock or unlock, and press **OK**.
- 5 - A locked source is marked with a lock icon.
- 6 - Press **Back**, repeatedly if necessary, to close the menu.

---

## Change PIN

Set new or reset PIN code. The PIN code is used to lock or unlock channels or programmes.

- 1 - Press **Home** > **Settings** > **Channel** > **Parental Controls** and press **OK**.
- 2 - Enter your PIN code if necessary.
- 3 - Select **Change PIN** and press **OK**.
- 4 - Enter the current PIN code and new PIN code.
- 5 - Press **Back**, repeatedly if necessary, to close the menu.

---

## Accounts and Sign-In

To enjoy the full capabilities of your Philips Android TV, you can sign in to Google with your Google Account.

By signing in you'll be able to play your favourite games across phone, tablet and TV. You'll also get customised video and music recommendations on your TV home screen as well as access to YouTube, Google Play and other apps.

### Sign In

Use your existing Google Account to sign in to Google on your TV. A Google Account consists of an email address and a password. If you don't have a Google Account yet, use your computer or tablet to create one (accounts.google.com). To play games with Google Play, you need a Google+ profile. If you did not sign in during the first TV installation, you can always sign in later.

#### To sign in after the TV installation...

- 1 - Select **Settings**.
- 2 - Select **Account & Sign-In** and press **OK**.
- 3 - Select **Sign In** and press **OK**.
- 4 - Select **Use your remote** and press **OK**.
- 5 - With the on-screen keyboard, enter your email address and press **OK**.
- 6 - Enter your password and press **OK** to sign in.
- 7 - Press **Navigation keys** left repeatedly if necessary, to close the menu.

## Apps

---

### Google Play

---

#### Movies and TV

With **Google Play Movies & TV**, you can rent or buy movies and TV shows to watch on TV.

#### What You Need

- your TV must be connected with the Internet
- you must sign in with your Google Account on TV
- add a credit card to your Google Account to purchase movies and TV shows

To rent or buy a movie or TV show...

- 1 - Press **Home**.
- 2 - Select **Google Play Movies & TV**.
- 3 - Select a movie or TV show and press **OK**.
- 4 - Select the purchase you want and press **OK**. You will be taken through the purchase procedure.

To watch a rented or bought movie or TV show...

- 1 - Press **Home**.
- 2 - Select **Google Play Movies & TV**.
- 3 - Select the movie or TV show from your library in the app, select the title and press **OK**.
- 4 - You can use the **Stop, Pause, Rewind** or **Fast forward** keys on the remote control.
- 5 - To stop the Movies & TV app, press **Back** repeatedly or press **EXIT**.

If the App is not on you Home screen, you can add via the Apps page or by the **Add app to favourites** item on the **Apps** row. Some Google Play products and features aren't available in all countries.

Find more information  
on [www.support.google.com/androidtv](http://www.support.google.com/androidtv)

---

### Music

With YouTube Music you can play your favourite music on TV and buy new music on your computer or mobile device. Or, on your TV, you can sign up for All Access, the YouTube Music subscription. Alternatively, you can play the music you already own, stored on your computer.

#### What You Need

- your TV must be connected with the Internet
- you must sign in with your Google Account on TV
- add a credit card to your Google Account to take a music subscription

To start YouTube Music...

- 1 - Press **Home**.
- 2 - Select **YouTube Music**.
- 3 - Select the music you want and press **OK**.
- 4 - To stop the Music app, press **Back** repeatedly or press **EXIT**.

If the App is not on you Home screen, you can add via the Apps page or by the **Add app to favourites** item on the **Apps** row. Some Google Play products and features aren't available in all countries.

Find more information  
on [www.support.google.com/androidtv](http://www.support.google.com/androidtv)

---

### Games

With Google Play Games, you can play games on TV. Online or offline.

You can see what your friends are playing currently or you can join the game and compete. You can track your achievements or start wherever you left off.

#### What You Need

- your TV must be connected with the Internet
- you must sign in with your Google Account on TV
- add a credit card to your Google Account to purchase new games

Start the Google Play Games app to select and install new game apps on your TV. Some games are free of charge. A message appears if a particular game needs a gamepad to play the game.

To start or stop a Google Play Game...

- 1 - Press **Home**.
- 2 - Select **Google Play Games**.
- 3 - Select a game to play or select a new game to install and press **OK**.
- 4 - When done, press **Back** repeatedly or press **EXIT** or stop the app with its dedicated exit/stop button.

If the App is not on you Home screen, you can add via the Apps page or by the **Add app to favourites** item on the **Apps** row. Some Google Play products and features aren't available in all countries.

Find more information  
on [www.support.google.com/androidtv](http://www.support.google.com/androidtv)

---

### Google Play Store

From the Google Play Store you can download and install new apps. Some apps are free of charge.

#### What You Need

- your TV must be connected with the Internet
- you must sign in with your Google Account on TV
- add a credit card to your Google Account to purchase apps

To install a new app...

- 1 - Press **Home**.
- 2 - Select **Google Play Store** and press **OK**.
- 3 - Select the app you want to install and press **OK**.
- 4 - To close the **Google Play Store**, press **Back** repeatedly or press **EXIT**.

## Parental controls

In the Google Play Store, you can hide apps according to users/buyers maturity. You need to enter a PIN code to select or change the level of maturity.

To set the parental control...

- 1 - Press **Home**.
- 2 - Select **Google Play Store** and press **OK**.
- 3 - Select **Settings > Parental controls**.
- 4 - Select the level of maturity you want.
- 5 - On request, enter the PIN code.
- 6 - To close the **Google Play Store**, press **Back** repeatedly or press **EXIT**.

If the App is not on you Home screen, you can add via the Apps page or by the **Add app to favourites** item on the **Apps** row. Some Google Play products and features aren't available in all countries.

Find more information on [www.support.google.com/androidtv](http://www.support.google.com/androidtv)

---

## Payments

To make a payment on Google Play on TV, you must add a form of payment - a credit card (outside the United States) - to your Google Account. When you purchase a movie or TV show, you will be charged on this credit card.

To add a credit card ...

- 1 - On your computer, go to [accounts.google.com](http://accounts.google.com) and sign in with the Google Account you will use with Google Play on TV.
- 2 - Go to [wallet.google.com](http://wallet.google.com) to add a card to your Google Account.
- 3 - Enter your credit card data and accept the terms and conditions.

---

## Start or Stop an App

You can start an app from the Home screen.

To start an app...

- 1 - Press **Home**.
- 2 - Move to **Apps** row, select the app you want and press **OK**.
- 3 - To stop an app, press **Back** or press **EXIT** or stop the app with its dedicated exit/stop button.

When opening the Home screen, the background application/content playback will stop. You have to select the application or content from the Home screen to resume.

### A note to start the Live TV app

If you have installed the Live TV app on Home screen, please note that the HDMI sources are regard as App's

sources. When the Live TV app is started, it will open with current source, which includes TV and HDMI sources.

---

## Manage Apps

If you stop an app and return to the Home menu, the app is not really stopped. The app is still running in the background to be readily available when you start it again. To run fluently, most apps need to save some data in the cache memory of the TV. It might be good to stop an app completely or clear the cache data of a particular app to optimise the overall performance of apps and to keep memory usage low on your Android TV. Also, it is best to uninstall apps that you are not using anymore.

---

## 9.4. Device Preferences

### System update

#### Local Updates

You need a computer with an high-speed Internet connection and a USB flash drive to upload the software on the TV. Use a USB flash drive with at least 2GB free space. Make sure that write protection is switched off.

- 1 - Press **Home > Settings > Device Preferences > System update > Local Updates** and press **OK**.
- 2 - Follow the instructions on screen.

#### Update from Internet

If the TV is connected to the Internet, you may receive a message to update the TV software. You need a high-speed (broadband) Internet connection. If you receive this message, we recommend you to carry out the update.

- 1 - Press **Home > Settings > Device Preferences > System update > Internet** and press **OK**.
- 2 - Follow the instructions on screen.

### About

To view the current TV software version...

- 1 - Select **Home > Settings > Device Preferences > About > Software version**.
- 2 - The version, release notes and creation date are shown. Also, the Netflix ESN Number is shown if available.
- 3 - Press **Back** if necessary, to close the menu.

To reset all settings value to original TV settings...

1 - Select **Home**.

2 - **Settings > Device Preferences > About > Factory reset**.

This will erase all data from your device's internal storage, including: your Google account, system app data, download apps, and settings. All settings will be reset and installed channels will be erased.

## Date and Time

**Home > Settings > Device Preferences > Date & time.**

Press Navigation keys up or down to view more options...

### Correct clock automatically

**Automatic date & time > Use network-provided time.**

- The standard setting for the TV clock is automatic. The time information comes from the broadcasted UTC - Coordinated Universal Time information.

### Correct clock manually

**Automatic date & time > Off.**

Select Set date and Set time to adjust the value.

Note: If none of the automatic settings display the time correctly, you can set the time manually.

### Set time zone or set a time offset for your region

**Date & time > Set time zone.**

Select the time zone of your preference.

### Set the time format to 24-hour

**Date & time > Use 24-hour format.**

Enable to show the system time in 24-hour format, else show in 12-hour format time.

## Timer

### Set TV switch on or off timer

**Home > Settings > Device Preferences > Timer.**

Set **Power on time type** or **Power off type** to **On** or **Once**.

## Language

### Change the language of the TV menu

**Home > Settings > Device Preferences > Language.**

1 - Press **Home** to go to Home screen.

2 - Select **Device Preferences > Language**.

3 - Select your language and press **OK**.

4 - Press **Back** or **EXIT** repeatedly to close the menu.

## Keyboard

### Set the on-screen keyboard type.

**Home > Settings > Device Preferences > Keyboard.**

To set the keyboard layout to Qwerty or Azerty.

## Inputs

Refer to chapter HDMI CEC.

## Power

### Set the timers for saving energy.

**Home > Settings > Device Preferences > Power.**

Press Navigation keys up or down to view more options...

### Set Sleep timer

**Power > Sleep timer.**

TV switches to standby mode automatically after a preset time.

### Set screen off to save energy consumption

**Power > Picture off.**

Select **Picture off**, the TV screen is switched off, to switch the TV screen back on, press any key on the remote control.

### Set TV switch off timer

**Power > Switch off timer.**

Select **Switch off timer**, the TV switches off automatically at a preset time to save energy.

### No signal auto power off

**Power > No signal auto power off.**

Press Navigation keys up or down to set the value. Select **Off** to deactivate the automatic switch off.

\* If you use the TV as a monitor or use a digital receiver to watch TV (a Set-Top Box - STB) and you do not use the remote control of the TV, you should deactivate this automatic switch off, to set the value to Off.

### Set auto sleep timer

Power > Auto sleep.

TV switches to sleep mode automatically after a preset time if the TV does not receive any command from remote control.

## Picture

---

### Picture Mode

Home > Settings > Device Preferences > Picture > Picture Mode

For easy picture adjustment, you can select a preset picture style.

- User - The picture preferences you set during the first start up.
- Standard - Most energy conscious setting - Factory setting
- Vivid - Ideal for daylight viewing
- Sport - Ideal for sport
- Movie - Ideal for watching movies with original studio effect

- Game\* - Ideal for playing games

\* Picture mode - Game is not available for some video sources.

When TV receives Dolby Vision HDR signal, select a picture style below :

- Dolby Vision Bright
- Dolby Vision Dark
- Dolby Vision Vivid

---

### Dolby Vision Notification

Home > Settings > Device Preferences > Picture > Dolby Vision Notification and press OK.

Switch On or Off the Dolby Vision notification when Dolby Vision content begins to play on your TV.

---

### Other Picture Settings

Home > Settings > Device Preferences > Picture

Press Navigation keys up or down to view more options...

### Backlight

Adjust the video backlight intensity.

### Brightness

Set the level of brightness of the picture signal.

Note: Setting of brightness much away from reference value (50) may result lower contrast.

### Contrast

Adjust the contrast value of the picture.

### Saturation

Adjust the colour saturation value of the picture.

### HUE

Adjust the hue value of the picture.

### Sharpness

Adjust the level of sharpness in fine detail of the picture.

### Gamma

Set a non-linear setting for picture luminance and contrast. This is a setting intended for expert users.

### Colour Temperature

Set the picture to a preset colour temperature or adjust the setting yourself.

### Light sensor

Select On to adjust the picture settings automatically to the lighting conditions of the room.

### Advanced video

Set the advance settings.

- DNR Digital Noise Reduction, image noise reduction filters to reduces the image noise.
- MPEG NR MPEG Noise Reduction feature to improve the quality of pictures by reducing the noise without compromising the picture resolution.
- Adaptive Luma Control Dynamic video contrast enhancement to adjust the Luma level of the picture signal automatically. If the PC Mode setting is On, this feature will be off.
- Local Contrast Control Enhance the contrast level in local area for the image.
- Game Mode Switch TV to Game mode to have fast response time.
- PC Mode Switch TV to PC mode to have original picture look.
- HDMI Auto Game Mode Allow TV to automatically switch to Game mode when the game content is notified by source.

### Colour Tuner

Fine tune the colour setting yourself.



## 11 Point White Balance Alignment

Customize the whitepoint balance based on the selected colour temperature of the picture.

### Reset to Default

Reset the current picture settings to default.

## Sound

---

### Sound Mode

**Home > Settings > Sound > Sound Mode >** and press **OK**.

For easy sound adjustment, you can select a preset setting with sound mode.

- Game - Ideal for gaming
- Movie - Ideal for watching movies
- Music - Ideal for listening to music
- Dialogue - Ideal for speech
- AI mode - Select AI mode for intelligent switching of sound mode base on audio content.
- User - The sound preferences you set during the first start up

---

### Other Sound Settings

**Home > Settings > Device Preferences > Sound and** press **OK**.

Press Navigation keys up or down to view more options...

### Speakers

Set the TV to play the sound on TV or on the connected audio system. You can select where you want to hear the TV sound and how you want to control it.

- If you select External audio system, you permanently switch off the TV speakers.
- If you select TV speakers, the TV speakers are always on.

\* Note: TV Speakers will be muted when the Headphones are plugged in.

### Digital Output

Digital output settings are available for optical and HDMI ARC sound signals. Set the audio out signal of the TV to fit the sound capabilities of the connected Home Theatre System.

### Digital Output Delay

For some Home Theatre Systems you might need to adjust the audio sync delay to synchronise the audio to the video. Select 0 if a sound delay is set on your Home Theatre System.

### DTS night mode

Select DTS night Mode for a more comfortable quiet listening experience when watching content with DTS Master Audio.

### Dolby audio processing

Set the advance settings.

- Volume Leveler: select On to adjust the volume automatically.
- Dialogue Enhancer: select to get an improved sound quality for speech programme.
- Surround Virtualizer: select On to create a virtual surround sound experience.
- Dolby Atmos: select On to enable Dolby Atmos, which can add height dimension in sound. With height dimension, sound can be precisely placed and moved in three-dimensional space.

### Reset to Default

Reset the current sound settings to default.

## Storage

To view the Internal shared storage....

**Home > Settings > Device Preferences > Storage.**

## Home Screen

To Customize the home screen....

**Home > Settings > Device Preferences > Home Screen.**

You can enable or disable the video and audio previews. Reorder the apps and games. Read the Open-source licenses.

## Google assistant

Adjust the settings for Google Assistant. You can also view the Open-source licenses.

- 1 - Select **Home > Settings > Channel**, or select **Home > Settings > Device Preferences > Google Assistant**.
- 2 - Select **Open-source licences** and press **OK**.
- 3 - Press **Back** if necessary, to close the menu.

## Chromecast build-in

To adjust the settings for Chromecast built-in....  
Home > Settings > Device Preferences > Chromecast build-in.

You can enable or disable the video and audio previews. Reorder the apps and games. Read the Open-source licenses.

## Screen Saver

To Adjust the screen saver setting for your preference.....  
Home > Settings > Device Preferences > Screen Saver.

## Location

To Set the location status.....  
Home > Settings > Device Preferences > Location.

## Accessibility

The TV is prepared for use of the deaf, hard of hearing, blind or partially sighted people.

### Accessibility for blind or partially sighted people

Home > Settings > Device Preferences > Accessibility > Audio Description.

Digital TV channels can broadcast special audio commentary describing what is happening on screen. Select to enable or disable the audio description.

### Visually Impaired

Accessibility > Visually Impaired.

When Audio Description is on, more Visually Impaired options are available. Set the speaker, headphone volume of the normal audio with the audio commentary or set the extra audio effects in the commentary audio. You can adjust the effect with below settings.

- Speaker • Headphone
- Volume • Pan and Fade
- Audio for Visually Impaired
- Fader Control

### Audio Hearing Impaired

Accessibility > Audio Hearing Impaired.

Turn on/off the text to describe the sound or visual information on screen.

## Reboot

Home > Settings > Device Preferences > Reboot > and press OK.

Note :

Disconnect the external USB hard disc before rebooting. Wait for few seconds, the TV restart automatically.

This will remove unnecessary data and information in the memory.

If your TV runs low performance when using Apps, such as the video and audio are not synchronised or the App is running slow, reboot your TV for better performance.

---

## 9.5. Accessories

Home > Settings > Accessories

You can select the stored Bluetooth® connection from the list.

If you cannot find your accessory, select Add accessory to search for Bluetooth® connections.

---

# 10. Help and Support

---

## 10.1. Troubleshooting

---

## 10.2. Switch On and Remote Control

### The TV does not switch on

- Disconnect the power cable from the power outlet. Wait for one minute then reconnect it.
- Make sure that the power cable is securely connected.

### Creaking sound at startup or switch off

When you are switching the TV on, off or to standby, you hear a creaking sound from the TV chassis. The creaking sound is due to the normal expansion and contraction of the TV as it cools and warms up. This does not affect performance.

### TV does not respond to the remote control

The TV requires some time to start up. During this time, the TV does not respond to the remote control or TV controls. This is normal behaviour.

If the TV continues to be unresponsive to the remote control, you can check if the remote control is working by means of a mobile phone camera. Put the phone in camera mode and point the remote control to the camera lens. If you press any key on the remote control and you notice the infra red LED flicker through the camera, the remote control is working. The TV needs to be checked.

If you do not notice the flickering, the remote control might be broken or its batteries are low.

This method of checking the remote control is not possible with remote controls which are wirelessly paired with the TV.

### The TV goes back to standby after showing the Philips startup screen

When the TV is in standby, a Philips startup screen is displayed, then the TV returns to standby mode. This is normal behaviour. When the TV is disconnected and reconnected to the power supply, the startup screen is displayed at the next startup. To switch on the TV from standby, press **⏻** on the remote control or on the TV.

### The standby light keeps on blinking

Disconnect the power cable from the power outlet. Wait 5 minutes before you reconnect the power cable. If the blinking reoccurs, contact Philips TV Consumer Care.

---

## 10.3. Channels

### No digital channels found during the installation

See the technical specifications to make sure that your TV supports DVB-T or DVB-C in your country. Make sure that all cables are properly connected and that the correct network is selected.

### Previously installed channels are not in the channel list

Make sure that the correct channel list is selected.

---

## 10.4. Picture

### No picture / distorted picture

- Make sure that the antenna is properly connected to the TV.
- Make sure that the correct device is selected as the display source.
- Make sure that the external device or source is properly connected.

### Sound but no picture

- Make sure that the picture settings are set correctly.

### Poor antenna reception

- Make sure that the antenna is properly connected to the TV.
- Loud speakers, unearthed audio devices, neon lights, high buildings and other large objects can influence reception quality. If possible, try to improve the reception quality by changing the antenna direction or moving devices away from the TV.
- If reception on only one channel is poor, fine-tune this channel with Manual Installation.

### Poor picture from a device

- Make sure that the device is connected properly.
- Make sure that the picture settings are set correctly.

### Picture does not fit the screen

Change to a different picture format.

### Picture position is incorrect

Picture signals from some devices may not fit the screen correctly. Check the signal output of the connected device.

### Computer picture is not stable

Make sure that your PC uses the supported resolution and refresh rate.

---

## 10.5. Sound

### No sound or poor sound quality

If no audio signal is detected, the TV automatically switches the audio output off — this does not indicate malfunction.

- Make sure that the sound settings are correctly set.
- Make sure that all cables are properly connected.
- Make sure that the volume is not muted or set to zero.
- Make sure that the TV audio output is connected to the audio input on the Home Theatre System.

Sound should be heard from the HTS speakers.

- Some devices may require you to manually enable HDMI audio output. If HDMI audio is already enabled, but you still do not hear audio, try changing the digital audio format of the device to PCM (Pulse Code Modulation). Refer to the documentation accompanying your device for instructions.

---

## 10.6. Connections

### HDMI

- Note that HDCP (High-bandwidth Digital Content Protection) support can delay the time taken for a TV to display content from an HDMI device.
- If the TV does not recognise the HDMI device and no picture is displayed, switch the source from one device to another and back again.
- If there are intermittent sound disruptions, make sure that output settings from the HDMI device are correct.
- If you use an HDMI-to-DVI adapter or HDMI-to-DVI cable, make sure that an additional audio cable is connected to AUDIO IN (mini-jack only), if available.

### EasyLink does not work

- Make sure that your HDMI devices are HDMI-CEC compatible. EasyLink features only work with devices that are HDMI-CEC compatible.

### No volume icon shown

- When a HDMI-CEC audio device is connected this behaviour is normal.

### Photos, videos and music from a USB device do not show

- Make sure that the USB storage device is set to Mass Storage Class compliant, as described in the storage device's documentation.
- Make sure that the USB storage device is compatible with the TV.
- Make sure that the audio and picture file formats are supported by the TV.

### Choppy playback of USB files

- The transfer performance of the USB storage device may limit the data transfer rate to the TV which causes poor playback.

---

## 10.7. Wi-Fi, Internet and Bluetooth®

### Wi-Fi network not found or distorted

- Microwave ovens, DECT phones or other Wi-Fi 802.11b/g/n/ac devices in your proximity might disturb the wireless network.
- Make sure that the firewalls in your network allow access to the display's wireless connection.
- If the wireless network does not work properly in your home, try the wired network installation.

### Internet does not work

- If the connection to the router is OK, check the router connection to the Internet.

### The PC and Internet connection are slow

- Look in your wireless router's user manual for information on indoor range, transfer rate and other factors of signal quality.
- Use a high-speed (broadband) Internet connection for your router.

### DHCP

- If the connection fails, you can check the DHCP (Dynamic Host Configuration Protocol) setting of the router. DHCP should be switched on.

### Bluetooth® lost connection

- Places with a high amount of wireless activity - apartments with lots of wireless routers - can hamper the wireless connection.

---

## 10.8. Network

### Wi-Fi network not found or distorted

- Microwave ovens, DECT phones or other Wi-Fi 802.11b/g/n/ac devices in your proximity might disturb the wireless network.
- Make sure that the firewalls in your network allow access to the TV's wireless connection.
- If the wireless network does not work properly in your home, try the wired network installation.

### Internet does not work

- If the connection to the router is OK, check the router connection to the Internet.

### The PC and Internet connection are slow

- Look in your wireless router's user manual for information on indoor range, transfer rate and other factors of signal quality.

- Use a high-speed (broadband) Internet connection for your router.

#### **DHCP**

- If the connection fails, you can check the DHCP (Dynamic Host Configuration Protocol) setting of the router. DHCP should be switched on.
- 

## 10.9. Online Help

To solve any Philips TV related problem, you can consult our online support. You can select your language and enter your product model number.

Go to [www.philips.com/support](http://www.philips.com/support)

On the support site you can find your country's telephone number to contact us as well as answers to frequently asked questions (FAQs). In some countries, you can chat with one of our collaborators and ask your question directly or send a question by email.

You can download new TV software or the manual to read on your computer.

---

## 10.10. Support and Repair

For support and repair, call the Consumer Care hotline in your country. Our service engineers will take care of a repair, if necessary.

Find the telephone number in the printed documentation that came with the TV.

Or consult our website [www.philips.com/support](http://www.philips.com/support) and select your country if needed.

#### **TV model number and serial number**

You might be asked to provide the TV product model number and serial number. Find these numbers on the packaging label or on the type label on the back or bottom of the TV.

#### **⚠ Warning**

Do not attempt to repair the TV yourself. This may cause severe injury, irreparable damage to your TV or void your warranty.

# 11. Safety and Care

---

## 11.1. Safety

### Important

Read and understand all safety instructions before you use the TV. If damage is caused by failure to follow instructions, the warranty does not apply.

No modify this equipment without authorization of the manufacturer.

### Risk of Electric Shock or Fire

- Never expose the TV to rain or water. Never place liquid containers, such as vases, near the TV. If liquids are spilt on or into the TV, disconnect the TV from the power outlet immediately. Contact Philips TV Consumer Care to have the TV checked before use.
- Never expose the TV, remote control or batteries to excessive heat. Never place them near burning candles, naked flames or other heat sources, including direct sunlight.
- Never insert objects into the ventilation slots or other openings on the TV.
- Never place heavy objects on the power cord.
- Avoid force coming onto power plugs. Loose power plugs can cause arcing or fire. Ensure that no strain is exerted on the power cord when you swivel the TV screen.
- To disconnect the TV from the mains power, the power plug of the TV must be disconnected. When disconnecting the power, always pull the power plug, never the cord. Ensure that you have full access to the power plug, power cord and outlet socket at all times.

### Stability Hazards

A television set may fall, causing serious personal injury or death. Many injuries, particularly to children, can be avoided by taking simple precautions such as:

- ALWAYS ensure the television set is not overhanging the edge of the supporting furniture.
- ALWAYS use cabinets or stands or mounting methods recommended by the manufacturer of the television set.
- ALWAYS use furniture that can safely support the television set.
- ALWAYS educate children about the dangers of climbing on furniture to reach the television set or its controls.
- ALWAYS route cords and cables connected to your

television so they cannot be tripped over, pulled or grabbed.

- NEVER place a television set in an unstable location.
- NEVER place the television set on tall furniture (for example, cupboards or bookcases) without anchoring both the furniture and the television set to a suitable support.
- NEVER place the television set on cloth or other materials that may be located between the television set and supporting furniture.
- NEVER place items that might tempt children to climb, such as toys and remote controls, on the top of the television or furniture on which the television is placed.

If the existing television set is going to be retained and relocated, the same considerations as above should be applied.

### Risk of batteries

- Do not ingest the battery. Chemical burn hazard.
- The remote control may contain a coin/button cell battery. If the coin/button cell battery is swallowed, it can cause severe internal burns in just 2 hours and can lead to death.
- Keep new and used batteries away from children.
- If the battery compartment does not close securely, stop using the product and keep it away from children.
- If you think batteries might have been swallowed or placed inside any part of the body, seek immediate medical attention.
- Risk of fire or explosion if the battery is replaced by an incorrect type.
- Replacement of a battery with an incorrect type that can defeat a safeguard (for example, in the case of some lithium battery types).
- Disposal of a battery into fire or a hot oven, or mechanically crushing or cutting of a battery, that can result in an explosion.
- Leaving a battery in an extremely high temperature surrounding environment that can result in an explosion or the leakage of flammable liquid or gas.
- A battery subjected to extremely low air pressure that may result in an explosion or the leakage of flammable liquid or gas.

### Risk of Overheating

Never install the TV in a confined space. Always leave a space of at least 10 cm or 4 inches around the TV for ventilation. Ensure curtains or other objects never cover the ventilation slots on the TV.

## Lightning Storms

Disconnect the TV from the power outlet and antenna before lightning storms. During lightning storms, never touch any part of the TV, power cord or antenna cable.

## Risk of Hearing Damage

Avoid using earphones or headphones at high volumes or for prolonged periods of time.

## Low Temperatures

If the TV is transported in temperatures below 5°C or 41°F, unpack the TV and wait until the TV temperature reaches room temperature before connecting the TV to the power outlet.

## Humidity

In rare occasions, depending on temperature and humidity, minor condensation can occur on the inside of the TV glass front (on some models). To prevent this, do not expose the TV to direct sunlight, heat or extreme humidity. If condensation occurs, it will disappear spontaneously while the TV is playing for a few hours. The condensation moisture will not harm the TV or cause malfunction.

---

## 11.2. Screen Care

- Never touch, push, rub or strike the screen with any object.
- Unplug the TV before cleaning.
- Clean the TV and frame with a soft damp cloth and wipe gently. Never use substances such as alcohol, chemicals or household cleaners on the TV.
- To avoid deformations and colour fading, wipe off water drops as quickly as possible.
- Avoid stationary images as much as possible. Stationary images are images that remain onscreen for extended periods of time. Stationary images include onscreen menus, black bars, time displays, etc. If you must use stationary images, reduce screen contrast and brightness to avoid screen damage.

---

## 11.3. Health Care Facility Apparatus

If this TV is intended for entertainment purposes for use in a hospital, a nursing home, a medical-care center, or a similar health-care facility in which installation is limited to a nonhazardous area, it must be installed wall-mounted or ceiling mounted.

It is not intended for use in a critical-care area in which a patient is treated with an externalized electrical conductor, such as a probe, a catheter,

or other electrode, connected to the heart; however, the apparatus will be contacted by a patient during his stay in a health-care facility.

# 12. Terms of Use

---

## 12.1. Terms of Use - TV

2023 © TP Vision Europe B.V. All rights reserved.

This product was brought to the market by TP Vision Europe B.V. or one of its affiliates, hereinafter referred to as TP Vision, which is the manufacturer of the product. TP Vision is the warrantor in relation to the TV with which this booklet was packaged. Philips and the Philips Shield Emblem are registered trademarks of Koninklijke Philips N.V.

Specifications are subject to change without notice. Trademarks are the property of Koninklijke Philips N.V or their respective owners. TP Vision reserves the right to change products at any time without being obliged to adjust earlier supplies accordingly.

The written material packaged with the TV and the manual stored in the memory of the TV or downloaded from the Philips website [www.philips.com/support](http://www.philips.com/support) are believed to be adequate for the intended use of the system.

The material in this manual is believed adequate for the intended use of the system. If the product, or its individual modules or procedures, are used for purposes other than those specified herein, confirmation of their validity and suitability must be obtained. TP Vision warrants that the material itself does not infringe any United States patents. No further warranty is expressed or implied. TP Vision cannot be held responsible neither for any errors in the content of this document nor for any problems as a result of the content in this document. Errors reported to Philips will be adapted and published on the Philips support website as soon as possible.

Terms of warranty - Risk of injury, damage to TV or void of warranty!

Never attempt to repair the TV yourself. Use the TV and accessories only as intended by the manufacturer. The caution sign printed on the back of the TV indicates risk of electric shock. Never remove the TV cover. Always contact Philips TV Customer Care for service or repairs. Find the telephone number in the printed documentation that came with the TV. Or consult our website [www.philips.com/support](http://www.philips.com/support) and select your country if needed. Any operation expressly prohibited in this manual, or any adjustments and assembly procedures not recommended or authorised in this manual, shall void the warranty.

Pixel characteristics

This TV product has a high number of colour pixels. Although it has effective pixels of 99.999% or more, black dots or bright points of light (red, green or blue) may appear constantly on the screen. This is a structural

property of the display (within common industry standards) and is not a malfunction.

CE compliance

Hereby, TP Vision Europe B.V. declares that this television is in compliance with the essential requirements and other relevant provisions of Directives 2014/53/EU (RED), 2009/125/EC (Eco Design) and 2011/65/EC (RoHS).

UKCA compliance

Hereby, TP Vision Europe B.V. declares that this television is in compliance with the essential requirements and other relevant provisions of the Radio Equipment Regulations 2017, Ecodesign for Energy-Related Products and Energy Information (Amendment) (EU Exit) Regulations 2019, and Restriction of the Use of Certain Hazardous Substances in Electrical and Electronic Equipment Regulations 2012.

Compliance with EMF

TP Vision manufactures and sells many products targeted at consumers which, like any electronic apparatus, in general have the ability to emit and receive electromagnetic signals. One of TP Vision's leading business principles is to take all necessary health and safety measures for our products, to comply with all applicable legal requirements and to stay well within the Electro Magnetic Field (EMF) standards applicable at the time of producing the products.

TP Vision is committed to developing, producing and marketing products that cause no adverse health effects. TP Vision confirms that, as long as its products are handled properly for their intended use, they are safe to use according to scientific evidence available today. TP Vision plays an active role in the development of international EMF and safety standards, enabling TP Vision to anticipate further developments in standardisation for early integration in its products.

---

## 12.2. Hospitality Settings Only

This product is intended for use in professional installations and in hospitality settings only (including but not limited to hotels and holiday homes) and is not suitable for domestic purposes. Any use other than that for which this device is intended can void the warranty.



# 13. Copyrights

---

## 13.1. Dolby Audio

Manufactured under license from Dolby Laboratories. Dolby, Dolby Audio, and the double-D symbol are registered trademarks of Dolby Laboratories Licensing Corporation.



---

## 13.2. Dolby ATMOS

Dolby, Dolby ATMOS, and the double-D symbol are registered trademarks of Dolby Laboratories Licensing Corporation.

Manufactured under license from Dolby Laboratories. Confidential unpublished works. Copyright © 2012–2021 Dolby Laboratories. All rights reserved.



---

## 13.3. DTS-HD

DTS patents, see <http://patents.dts.com>. Manufactured under license from DTS Licensing Limited. DTS, the Symbol, DTS and the Symbol together, DTS-HD, and the DTS-HD logo are registered trademarks or trademarks of DTS, Inc. in the United States and/or other countries. © DTS, Inc. ALL RIGHTS RESERVED.



---

## 13.4. HDMI

The terms HDMI, HDMI High-Definition Multimedia Interface, HDMI Trade dress and the HDMI Logos are trademarks or registered trademarks of HDMI Licensing Administrator, Inc.



---

## 13.5. Kensington

**Kensington**

(If applicable)

Kensington and Micro Saver are registered US trademarks of ACCO World Corporation with issued registrations and pending applications in other countries throughout the world.



---

## 13.6. Other Trademarks

All other registered and unregistered trademarks are the property of their respective owners.

# 14. Open Source

---

## 14.1. Open Source Licenses

To view the Legal Information from the Android OS...

Professional Mode On-

- 1 - Press **Home**, select **Settings** and press **OK**.
- 2 - Select **Device Preferences > Legal information**, and press **OK**.
- 3 - Press **←** repeatedly if necessary, to close the menu.

Professional Mode OFF-

- 1 - Press **Home**, select **Settings** and press **OK**.
- 2 - Select **Device Preferences > About > Legal information**, and press **OK**.
- 3 - Press **←** repeatedly if necessary, to close the menu.

This television contains open source software. TP Vision hereby offers to deliver, upon request, a copy of the complete corresponding source code for the copyrighted open source software packages used in this product for which such offer is requested by the respective licences.

This offer is valid up to three years after product purchase to anyone in receipt of this information. To obtain the source code, please write in English to . . .

[open.source@tpv-tech.com](mailto:open.source@tpv-tech.com)

or please scan the Qrcode below to read the READ ME document online.



# Index

---

A	
Android TV Home Screen	17
Announcements	34
Antenna Cable	4
Antenna port	10
Audio Device	12
C	
Connect Devices	10
D	
Display Input Resolution	9
G	
Google Cast	14
H	
Headphones	12
Health Care Facility Apparatus	31
Home Theatre System	11
P	
Power cable	3
R	
Remote Control	6
Remote control, batteries	7
Risk of batteries	30
S	
Screen Care	31
Specifications	8
Stability Hazards	30
Switching On	5
T	
Troubleshooting	27
TV Stand	3
TV, standby	5
V	
Video Device	11



All registered and unregistered trademarks are property of their respective owners.  
Specifications are subject to change without notice.

Philips and the Philips Shield Emblem are registered trademarks of Koninklijke Philips N.V. and are used under license.

This product has been manufactured and is sold under the responsibility of TP Vision Europe B.V., and TP Vision Europe B.V. is the warrantor in relation to this product.

2023© TP Vision Europe B.V. All rights reserved.

[www.philips.com/welcome](http://www.philips.com/welcome)