



Philips  
Professional TV

**43" Hospitality TV**  
powered by Android™



**43HFL4518U**

## Vibrant and smart

with Chromecast built-in

This Hospitality TV is a perfect performer when you just want everything to look and sound great. Chromecast built-in makes streaming fast and easy, while Android™ and Google Play Store unleash infinite possibilities.

### **Android-powered. Ready for anything.**

- Chromecast™ built in for easy content sharing
- Google Play Store access for apps and media
- Comes with a hygienic remote control

### **Rapid installation. Total control.**

- Instant Initial Cloning. Rapidly install your Pro TVs
- AppControl. Install and manage apps remotely and securely
- Operate, monitor and maintain via CMND & Control
- Information you want, when you want it by use of CMND & Create
- CMND & Check-in. Personalise every experience
- MyChoice compatible. Built-in pay-to-view solution

### **Cost effective with reliable support**

- 3 year warranty, extendable to 5 years

**PHILIPS**

# Highlights

## 3 year warranty

The standard 3 year warranty can be extended so you can enjoy this product worry-free for 5 years .

## Chromecast built in

Enable instant, secure wireless casting of movies, presentations and more from smart devices (mobiles, laptops, tablets) in up to 4K resolution. Chromecast is cost-effective, requires no extra hardware and is secure for professional use. Users simply tap the Chromecast icon on their smart device to start streaming content from thousands of cast-enabled apps — their smart device becomes the remote.

## Instant Initial Cloning

Provides the ability to easily copy all programming and channel programming settings from one TV into other TV sets in less than a minute. The feature ensures uniformity between TV sets and significantly reduces installation time and costs.

## Google Play Store access

Full access to the entire Google Play Store makes it easy to add apps, games, music, movies and more to your Philips Professional Display. New business tools and extra entertainment options are added to the catalogue daily, ensuring that you always have access to the latest global trends.

## AppControl

Take full, centralised control of the apps installed on your Philips Professional TVs. AppControl lets you install, delete and manage apps on selected TVs or your entire network. Giving you the ability to offer personalised experiences to your guests and customers — no matter how many TVs you are managing.

## Hygienic Remote Control

The choice of anti-microbial material combined with a cavity-free design, which makes the hygienic remote control easy to clean and free from germs.

## CMND and Control

Run your display network over a local LAN connection. CMND & Control allows you to

perform vital functions like updating software and settings, as well as monitoring display status. Whether you're in charge of one display or more, CMND & Control makes managing your fleet easy.

## CMND & Create.

CMND & Create is a powerful authoring tool for creating compelling content. With its drag and drop interface, preloaded templates and integrated widgets, you'll be amazing customers with your content and information in no time.

## CMND & Check-in

Make your guests feel welcome. CMND & Check-in lets you use individual information — such as name and language spoken — to create a personalised experience.

## MyChoice compatible

Offer pay-to-view content in any situation — from a complete pay-to-access-all-channels model to selected premium content. MyChoice is an integrated solution that allows viewers to access pay-per-view channels via a code.

# Specifications

## Picture/Display

- Diagonal screen size (inch): 43 inch
- Diagonal screen size (metric): 108 cm
- Display: 4K Ultra HD LED
- Panel resolution: 3840 x 2160p
- Brightness: 350 cd/m<sup>2</sup>
- Viewing angle: 178° (H)/178° (V)

## Tuner/Reception/Transmission

- Digital TV: DVB-T/T2/C, DVB-S/S2
- IP Playback: Unicast, Multicast, OTT App Channels

## Android TV

- OS: Android TV™ 11 (R)
- Pre-installed apps: YouTube, Google Play Movies, Google Play Games, Google Play Store\*, YouTube Music
- Memory size (Flash): 16 GB\*

## Hospitality Features

- Hotel mode: Installation Menu Lock, Local Control Lock, Volume limitation (incl. HP), Switch-ON Settings Control, Prison mode
- Power control: WoWLAN, WoLAN, Quick Start Mode, Auto Power OFF
- Apps: AppControl, Google Play Store
- Your brand: Customisable Welcome App, CMND&Create
- CMND&Control: Off-Line Channel Editor, Off-Line Settings Editor, TV Group management, Remote Management over IP, Local Updates via USB, Instant Initial Cloning
- Interactive DRM: Playready Smoothstreaming
- Revenue generation: MyChoice
- Remote Control: Low-Battery Detection, RC Battery Door Lock, Hygienic
- CMND&Check-In: Guest Name, Guest Language
- Sharing: Chromecast Ultra built in, Secure Sharing, Network-managed Sharing
- Convenience: Sleep Timer, Google Assistant\*, Google Account Login, >40 Supported Menu Languages

## Healthcare features

- Control: Multi-Remote Control, Nurse call system compatible
- Convenience: Headphone out, Independent main speaker mute
- Safety: Double isolation class II, Flame retardant

## Multimedia

- Video playback supported: Containers: AVI, MKV, Formats: H.264/MPEG4 AVC, MPEG1, MPEG2, MPEG4, VP9, HEVC, AV1
- Music formats supported: MP3, WAV, AAC, WMA (v2 up to v9.2), WMA-PRO (v9 and v10)
- Subtitle formats supported: SRT, SMI, SSA SUB, ASS, TXT
- Picture formats supported: JPG, GIF, PNG, BMP

## Audio

- Sound output Power: 20 (2x10) W
- Bathroom speaker out: 1.5 W Mono 8 ohm
- Speakers: 2.0, Down Firing
- Sound Features: DTS Studio Sound, Dolby MS12D, AC-4, DTS-HD, Dolby Atmos Compatible

## Power

- Mains power: AC 220-240 V; 50-60 Hz
- Ambient temperature: 0 °C to 40 °C
- Standby power consumption: 0.3W
- Power Saving Features: Light sensor, Eco mode, Auto switch-off timer

## Accessories

- Included: Edge Stand, Legal and Safety brochure, Power Cord, 2x AA batteries, Hygienic RC 22AV2304A
- Optional: Setup RC 22AV9574A/12, Easy RC 22AV1601B/12, DOCSIS Cable Modem 22AV1970A

## Wireless Connectivity

- Wireless LAN: Dual band, 802.11 b/g/n, 802.11 ac, Wi-Fi-Direct, 2 x 2
- Bluetooth: 5.0, A2DP, SBC

## Connectivity Bottom

- HDMI 2: HDMI 2.0
- Digital Audio out: Optical
- Ethernet (LAN): RJ-45
- HDMI 3: HDMI 2.0
- Bathroom speaker out: Mini-Jack
- Antenna Input: IEC-75, F-Type
- IR in/out: Mini-Jack

## Side Connectivity

- Common Interface Slot: CI+ 1.4
- HDMI1: HDMI 2.0

- Headphone out: Mini-Jack
- USB1: USB 2.0

## Connectivity Enhancements

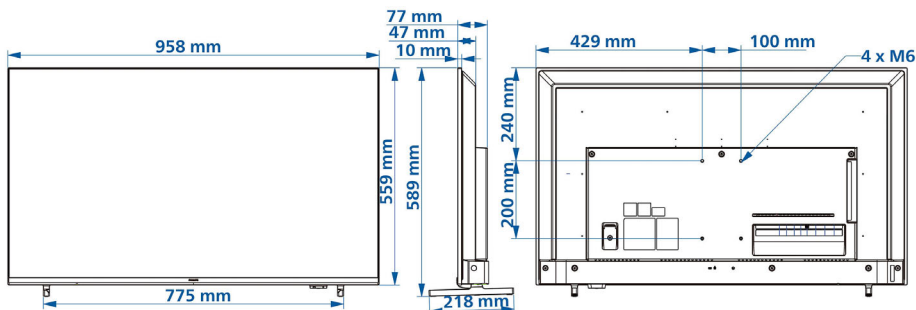
- EasyLink (HDMI CEC): One touch play, System Standby, system audio control, RC pass through
- HDMI: ARC (HDMI1), HDCP 2.3 (all ports)

## Dimensions

- Set Width: 958 mm
- Set Height: 559 mm
- Set Depth: 47/77 mm
- Product weight: 7.5 kg
- Set width (with stand): 958 mm
- Set height (with stand): 589 mm
- Set depth (with stand): 218 mm
- Product weight (+stand): 7.6 kg
- Wall-mount compatible: M6, 100 x 200 mm

## EU Energy card

- EPREL registration numbers: 1827411
- Energy class for SDR: F
- On mode power demand for SDR: 49 kWh/1000 h
- Energy class for HDR: F
- On mode power demand for HDR: 46 kWh/1000 h



Issue date 2024-04-15

Version: 6.6.1

EAN: 87 18863 03602 0

© 2024 Koninklijke Philips N.V.  
All Rights reserved.

Specifications are subject to change without notice.  
Trademarks are the property of Koninklijke Philips N.V.  
or their respective owners.

[www.philips.com](http://www.philips.com)

\* Availability of features will depend on implementation chosen by integrator.  
\* This television contains lead only in certain parts or components where no technology alternatives exist in accordance with existing exemption clauses under the RoHS Directive.  
\* Philips does not guarantee the availability or continuity of correct functioning of apps.  
\* Actual free memory may be less due to device pre-configuration  
\* Android, Google Play and Chromecast are trademarks of Google LLC  
\* Google Cast requires access to Google servers.  
\* This product is intended for use in professional installations and in hospitality settings only (including but not limited to hotels and holiday homes) and is not suitable for domestic purposes. Any use other than that for which this device is intended can void the warranty.