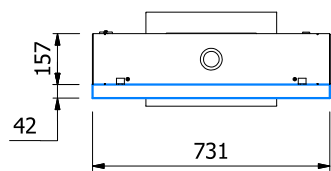
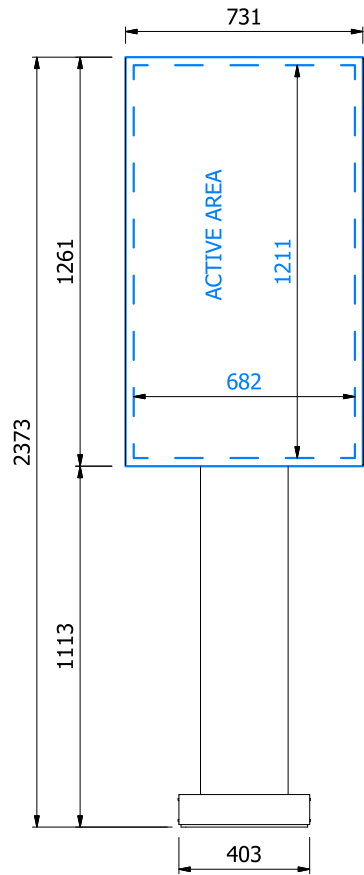
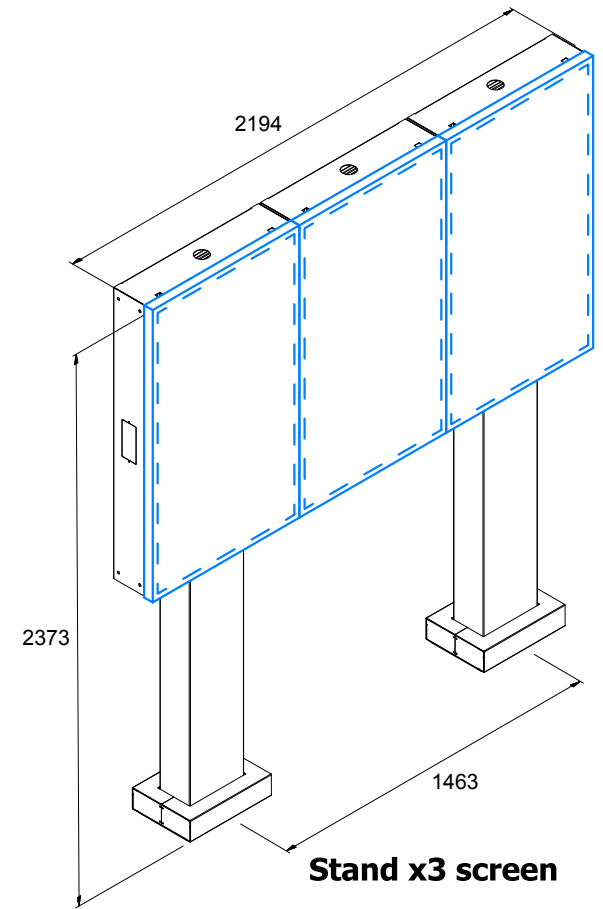
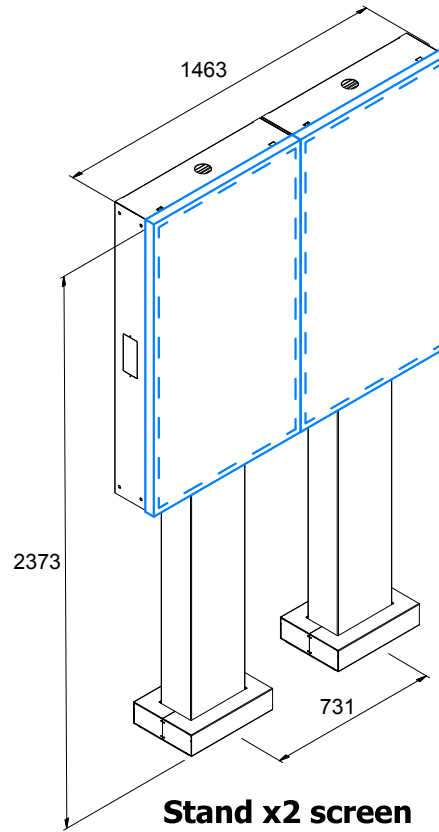
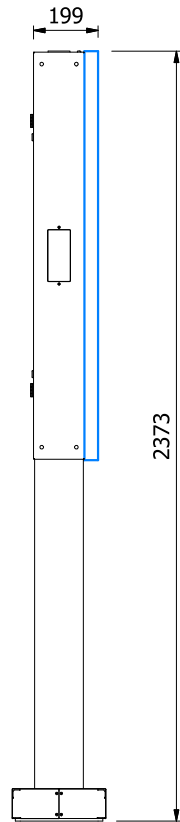


Modular Stand Outdoor Samsung OH55"

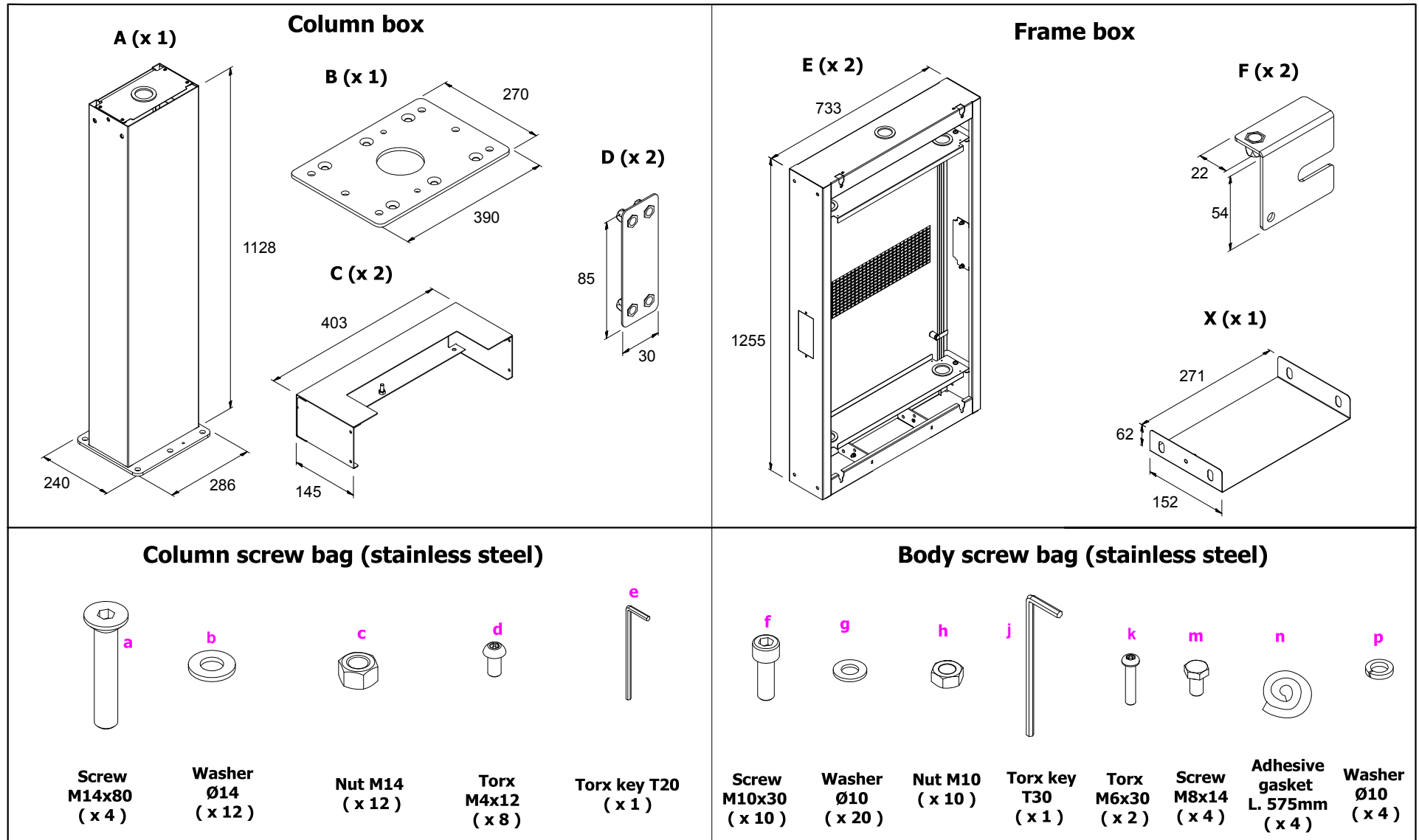


Stand x1 screen



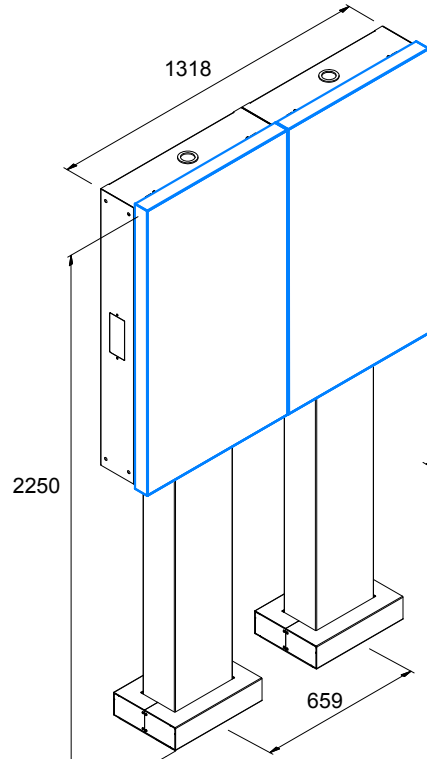
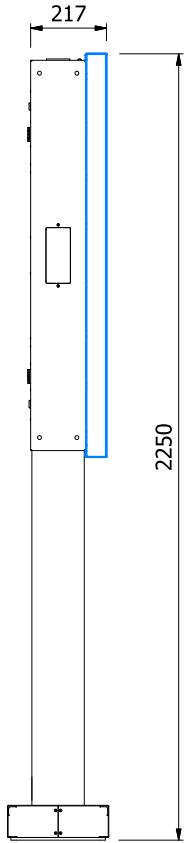
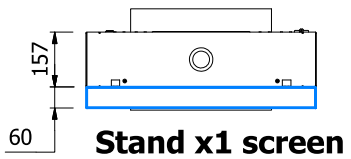
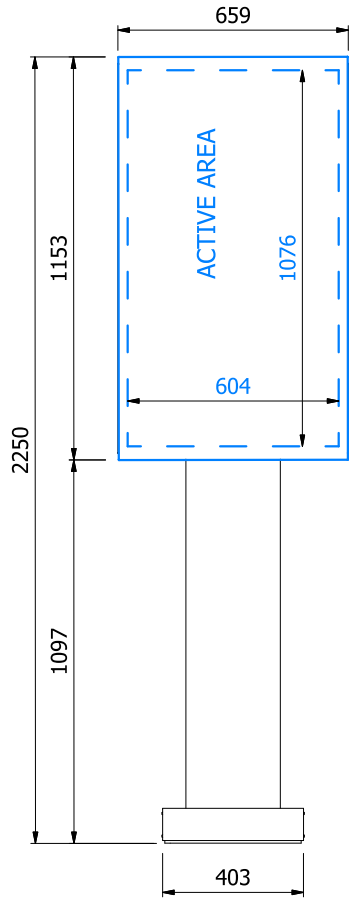
- Iron structure with cataphoresis or galvanizing treatment for outdoors
- Polyester powder coated for outdoor
- Screws in stainless steel
- Prepared for grounding

Modular Stand Outdoor
Samsung OH55"

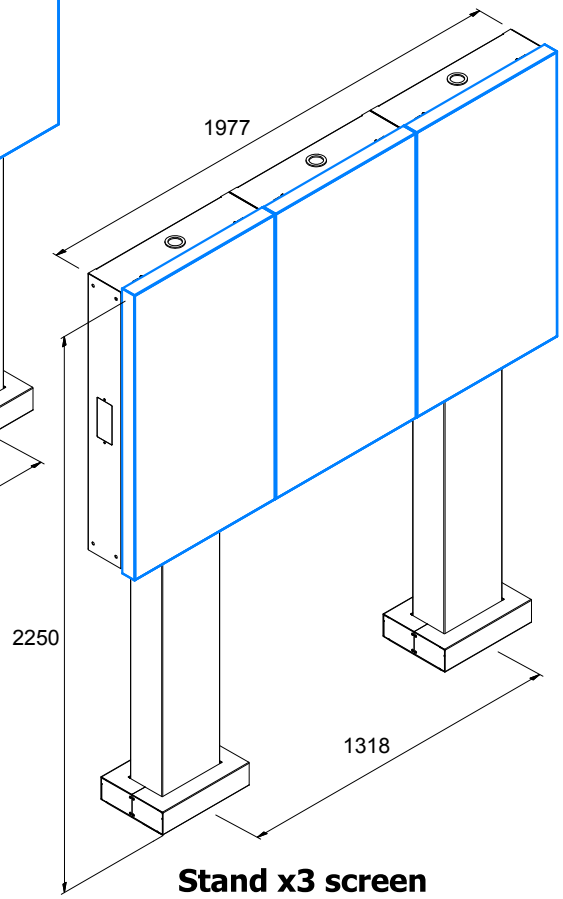


Attention, the quantities indicated are only for the stand x1 screen

Modular Stand Outdoor
LG49XE4F



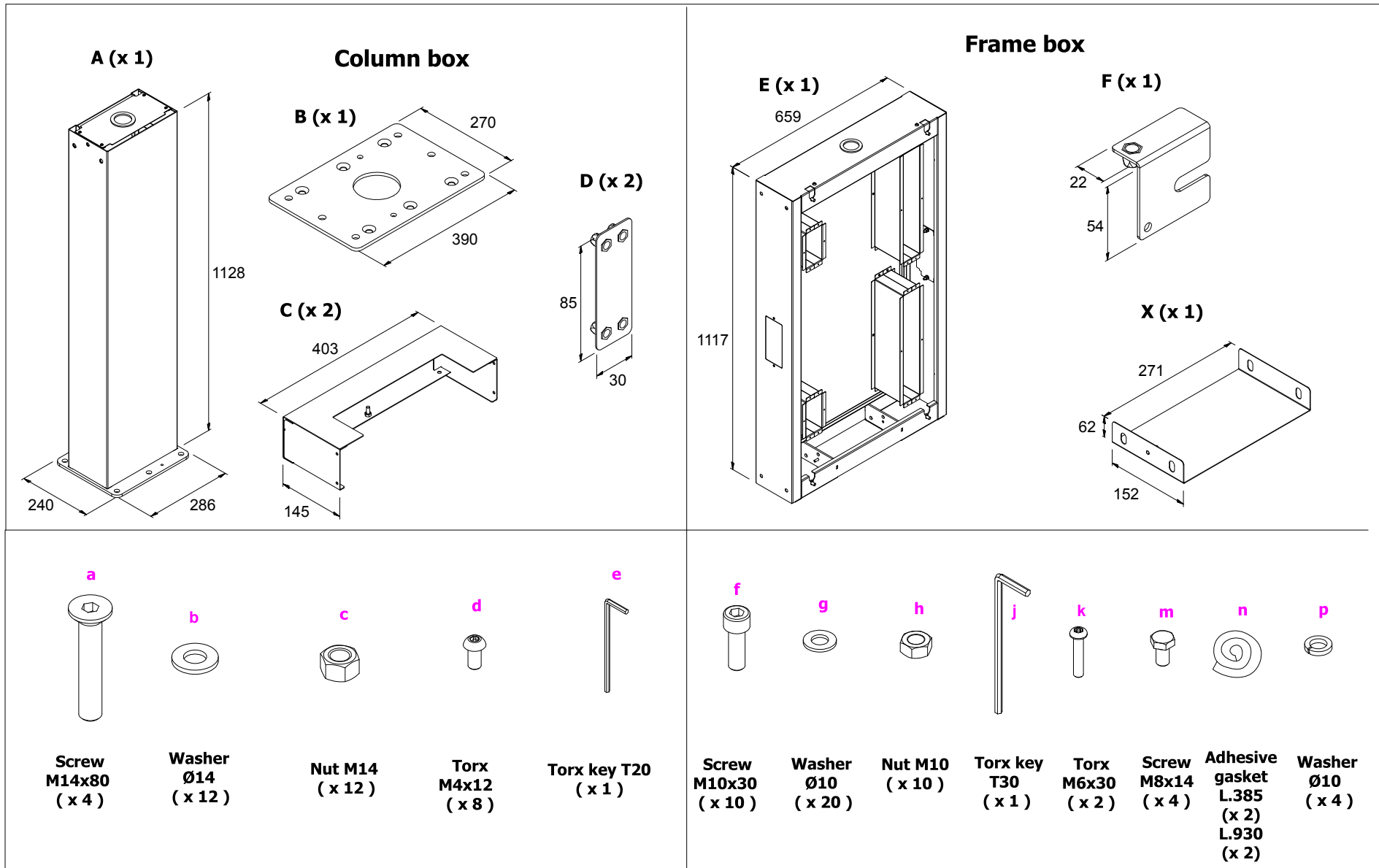
Stand x2 screen



Stand x3 screen

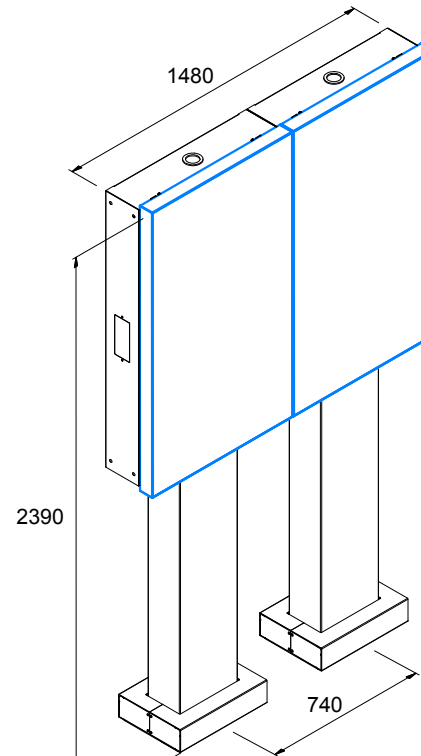
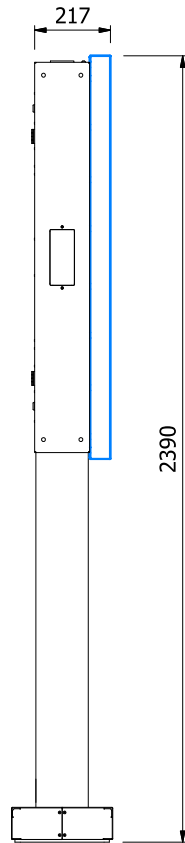
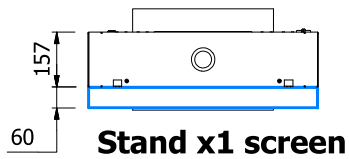
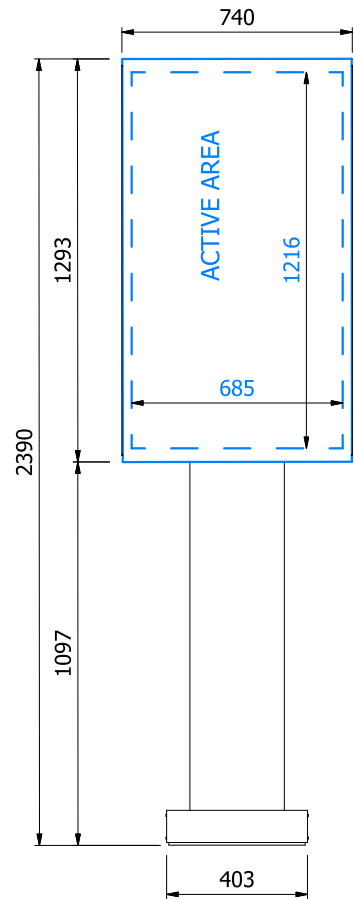
- Iron structure with cataphoresis or galvanizing treatment for outdoors
- Polyester powder coated for outdoor
- Screws in stainless steel
- Prepared for grounding

Modular Stand Outdoor LG49XE4F

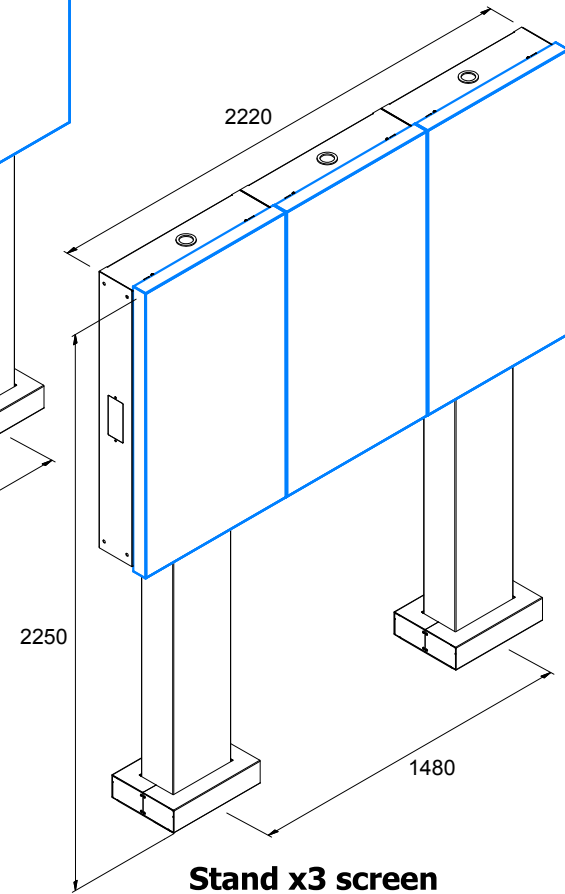


Attention, the quantities indicated are only for the stand x1 screen

Modular Stand Outdoor
LG 55XE4F



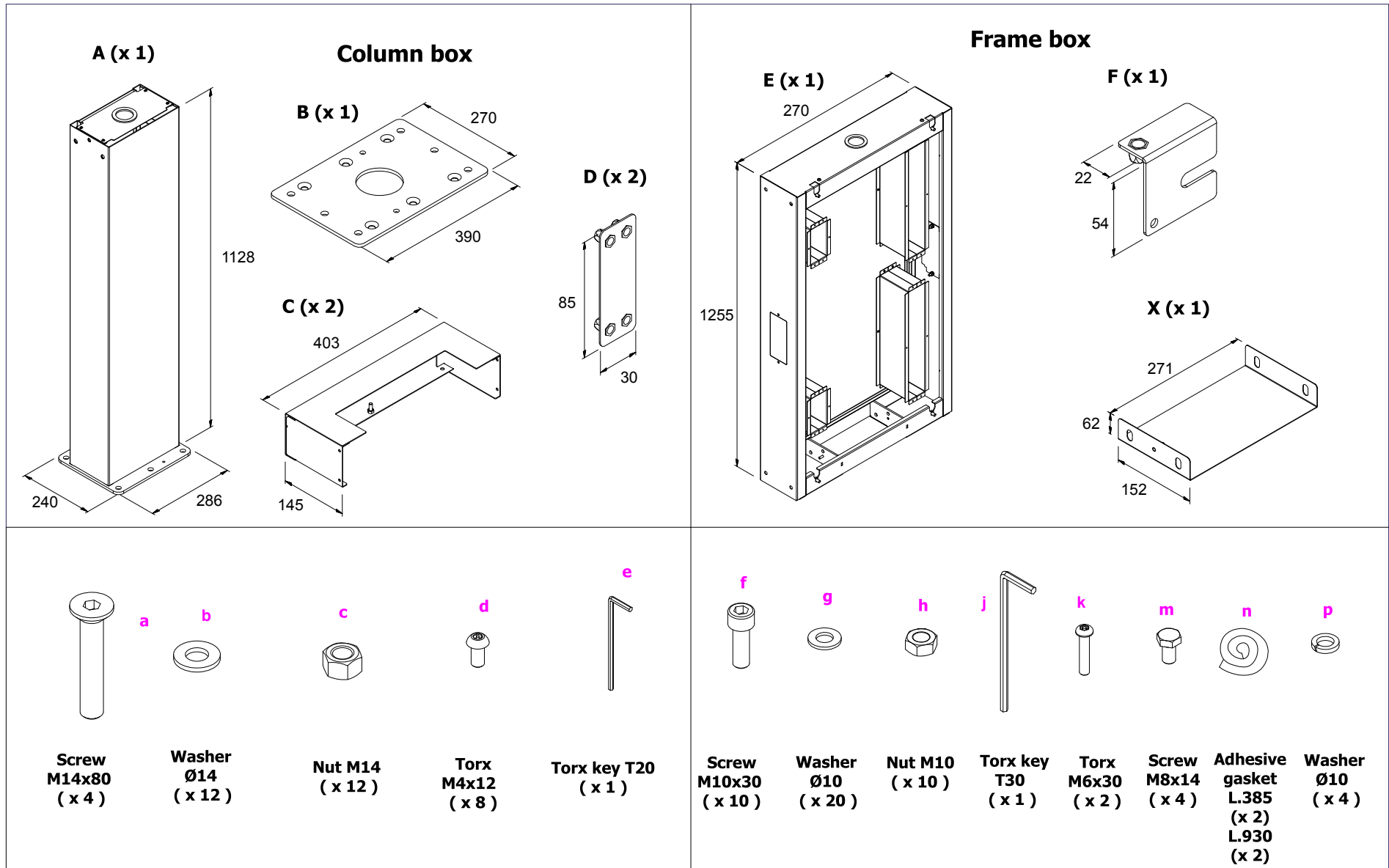
Stand x2 screen



Stand x3 screen

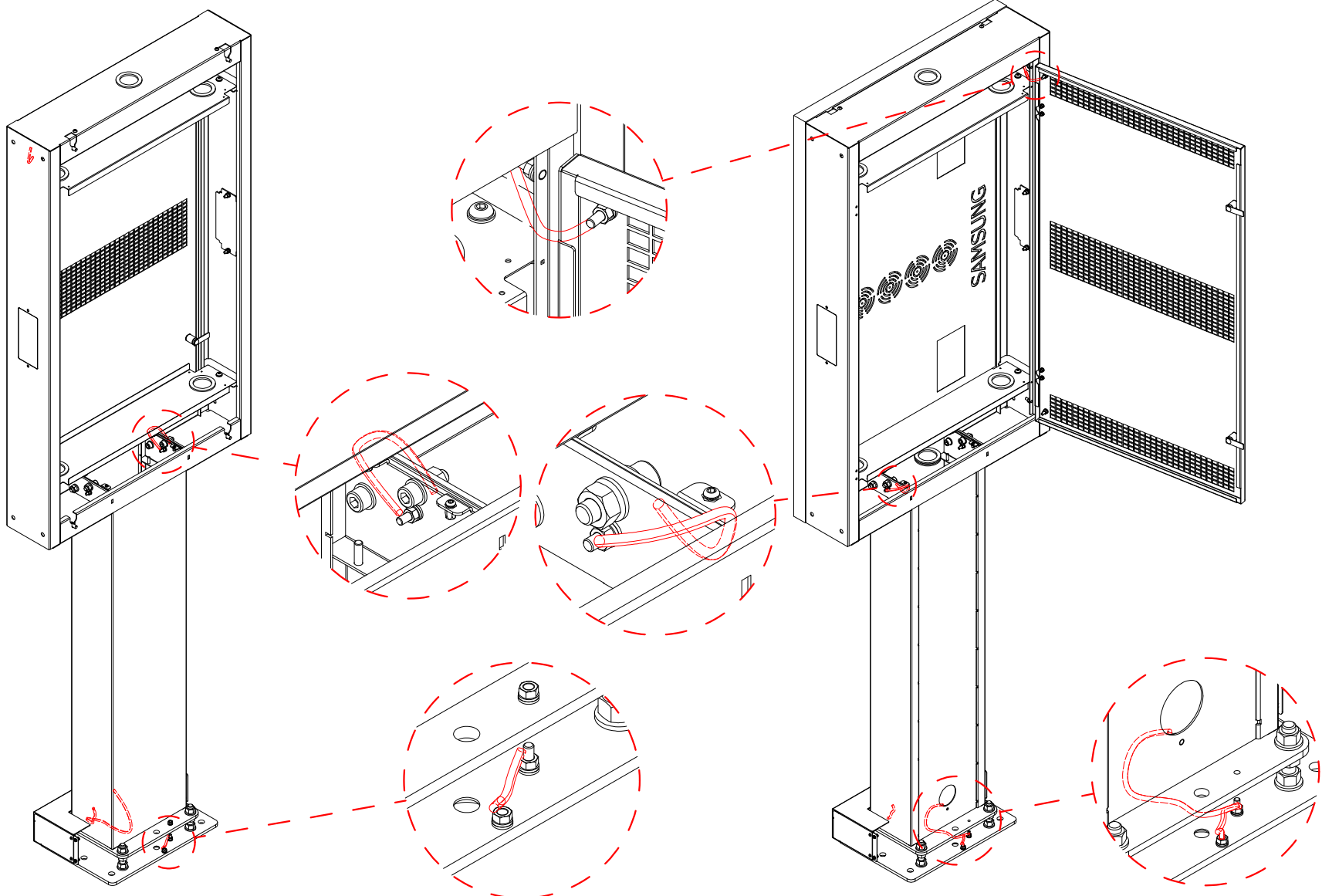
- Iron structure with cataphoresis or galvanizing treatment for outdoors
- Polyester powder coated for outdoor
- Screws in stainless steel
- Prepared for grounding

Modular Stand Outdoor LG 55XE4F

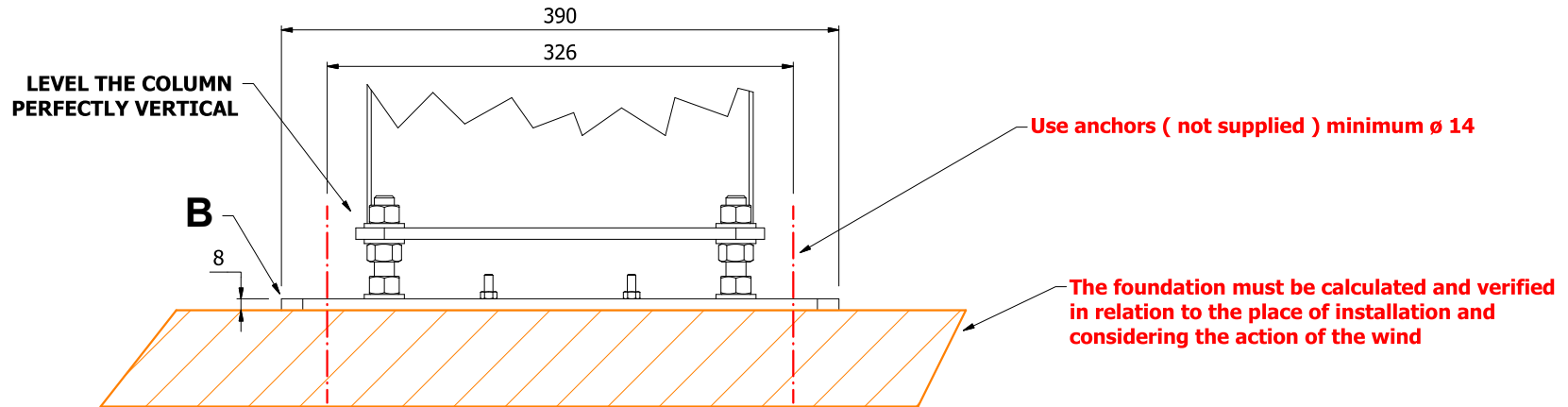
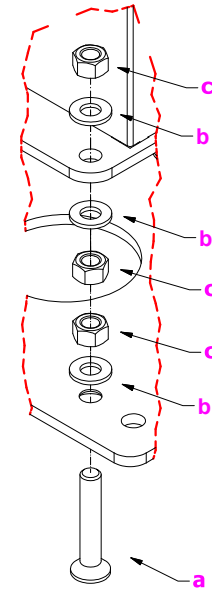
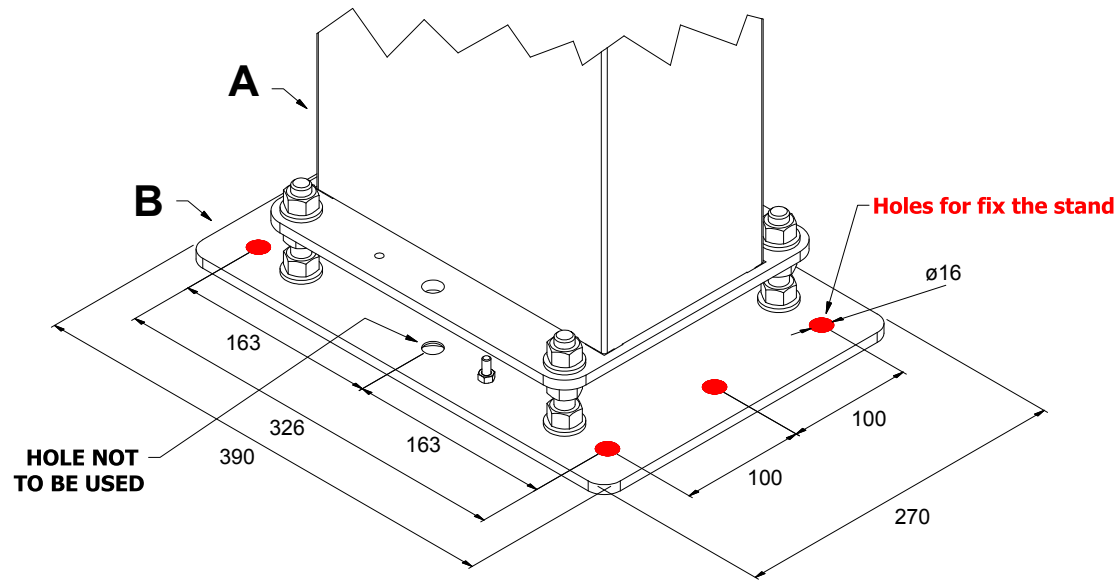


Attention, the quantities indicated are only for the stand x1 screen

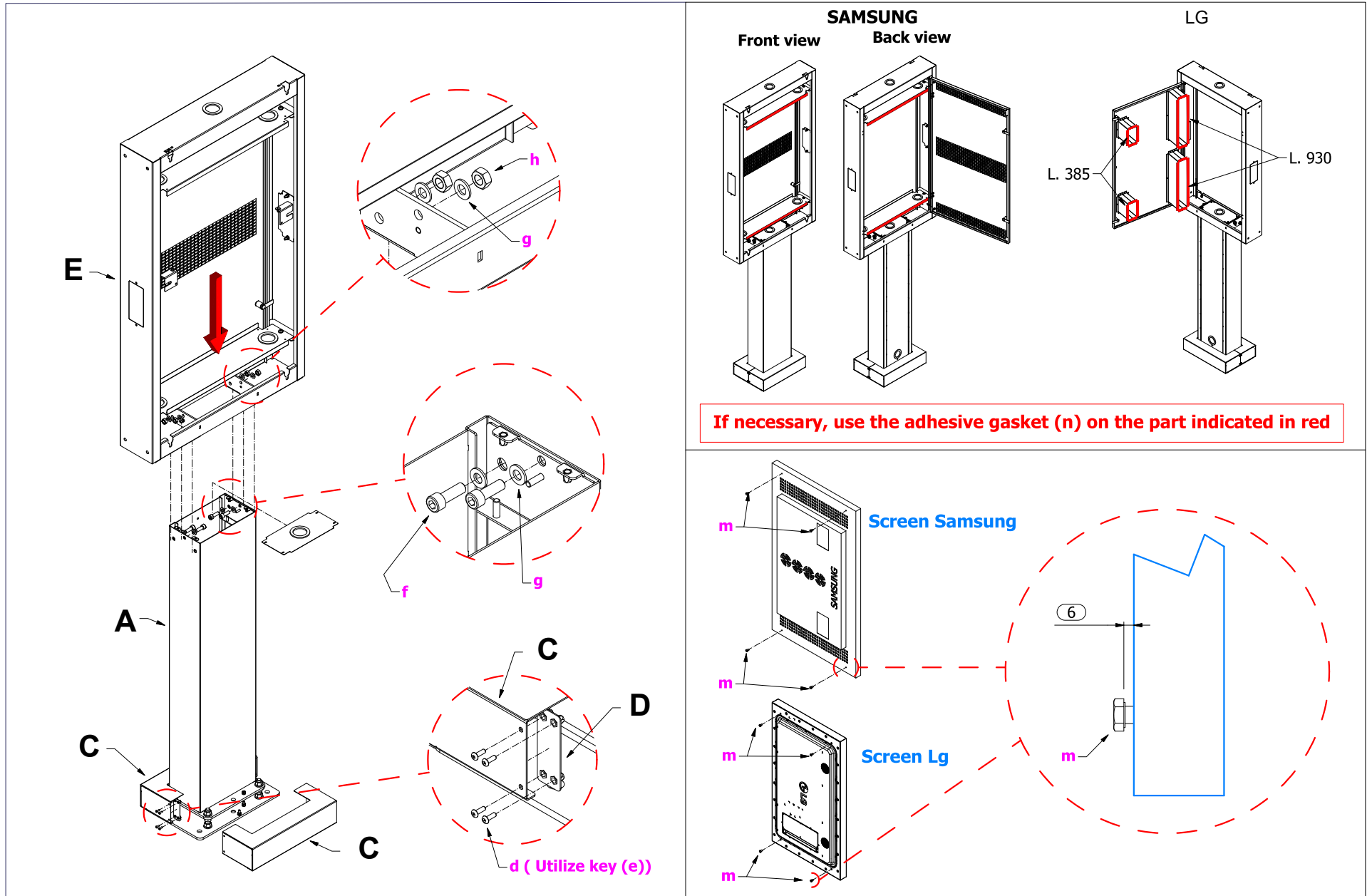
Modular Stand Outdoor Grounding



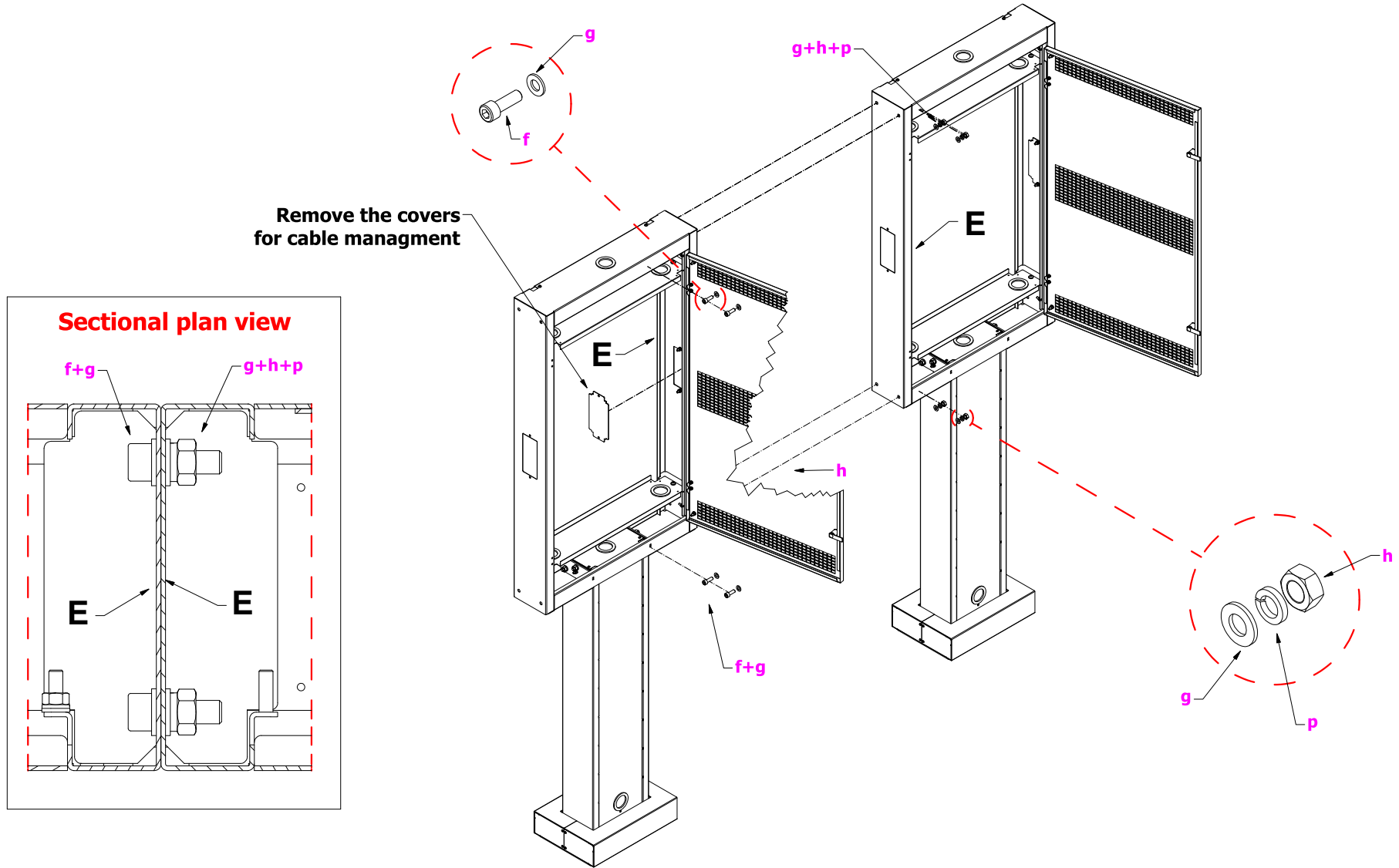
Modular Stand Outdoor



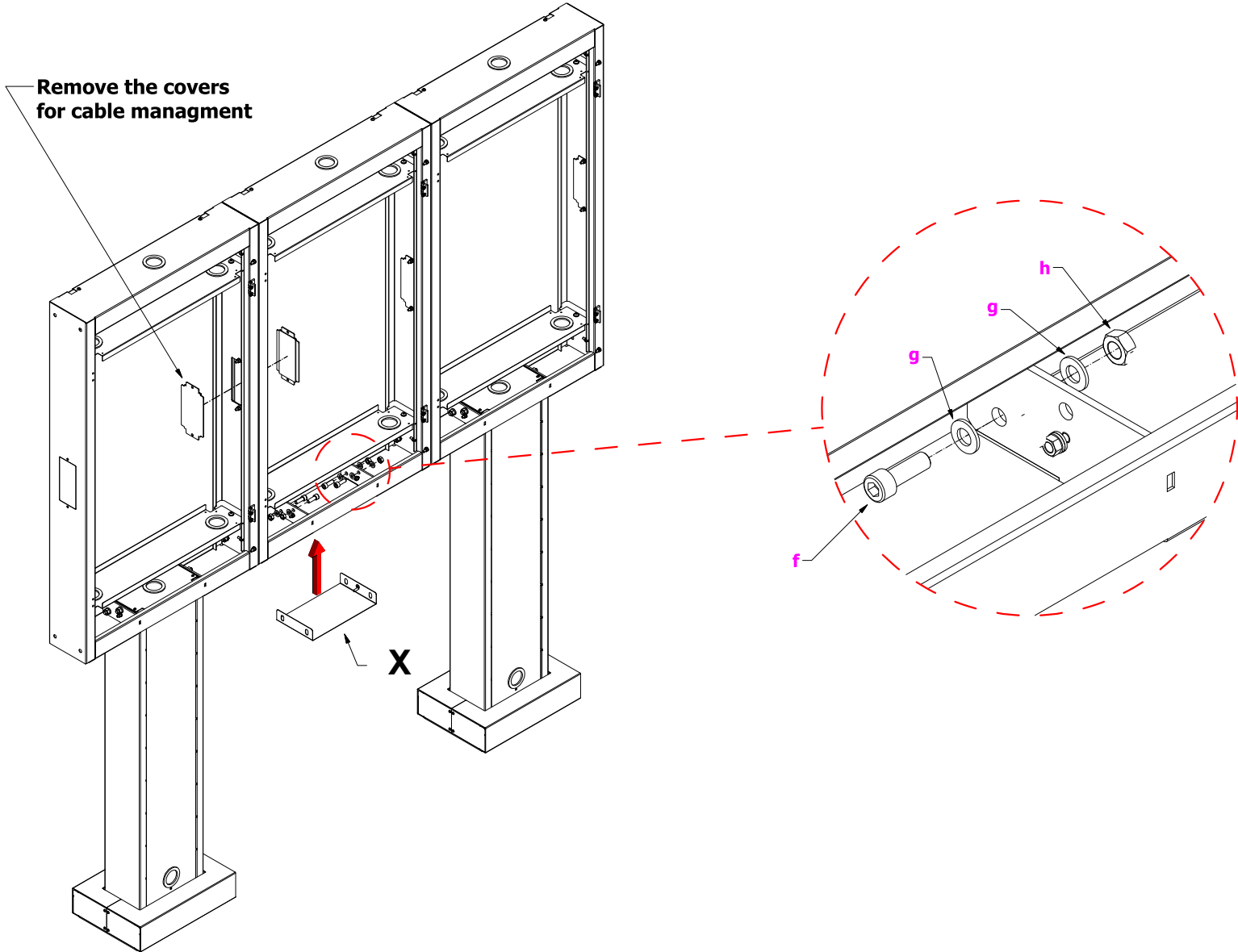
Modular Stand Outdoor



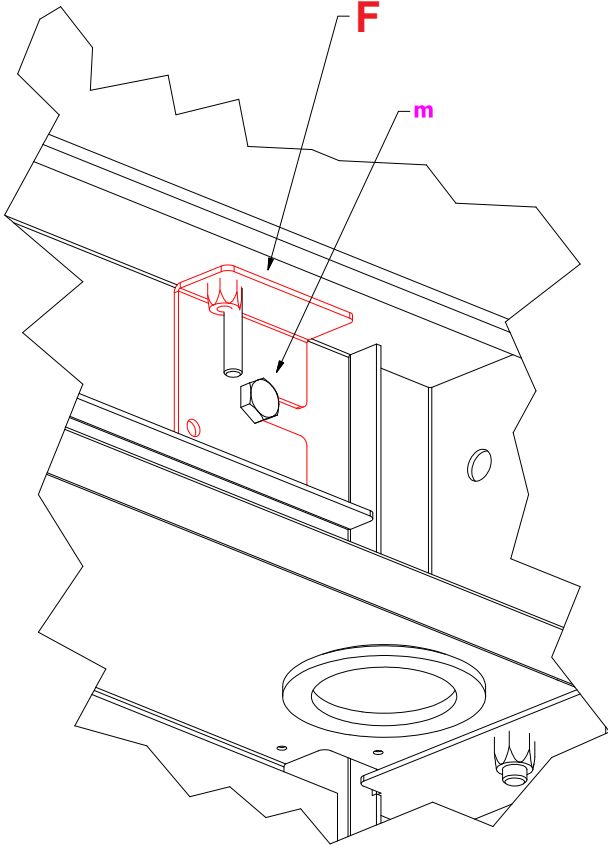
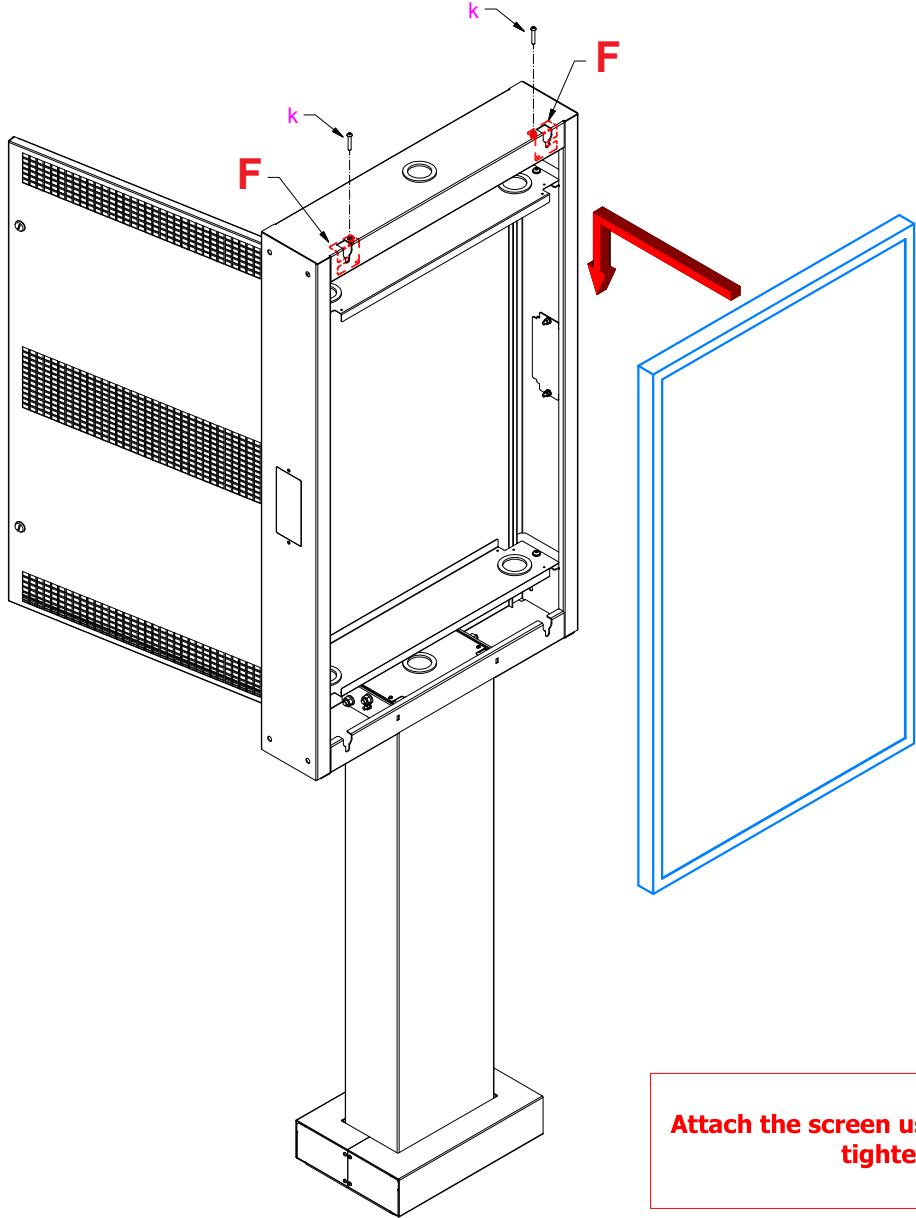
Modular Stand Outdoor



Modular Stand Outdoor



Modular Stand Outdoor



Attach the screen using the safety corner (F) and tighten the screw (m)