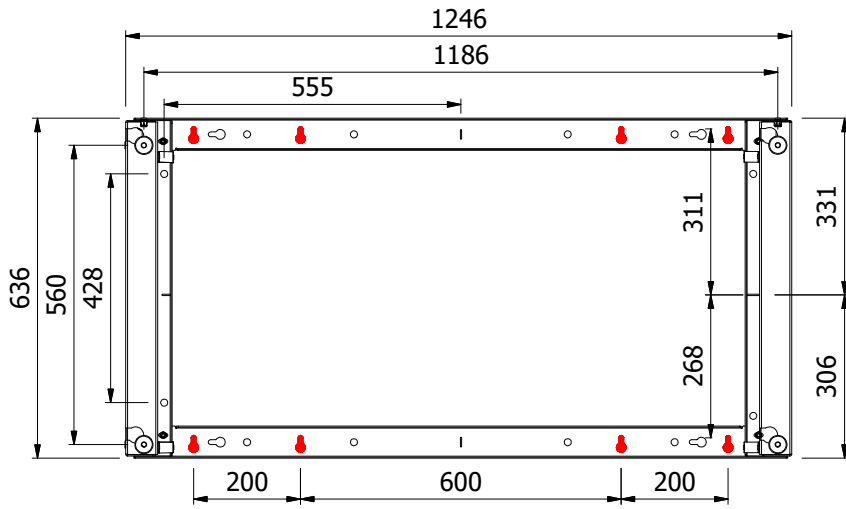
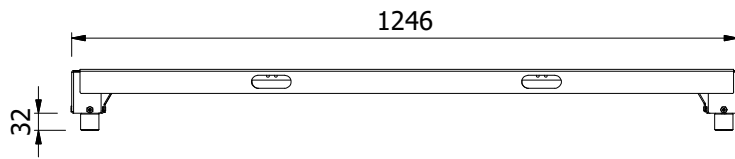
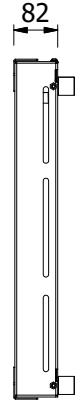
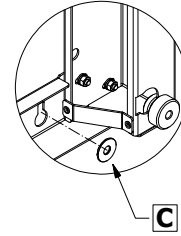





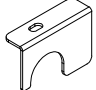
BRACKET FOR LG55



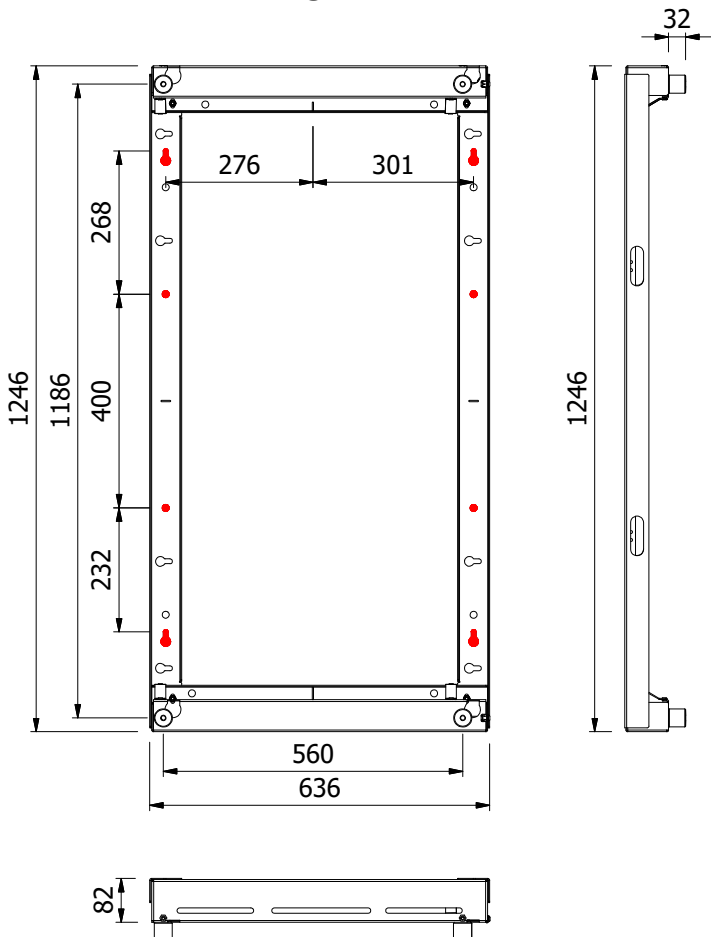
LANDSCAPE



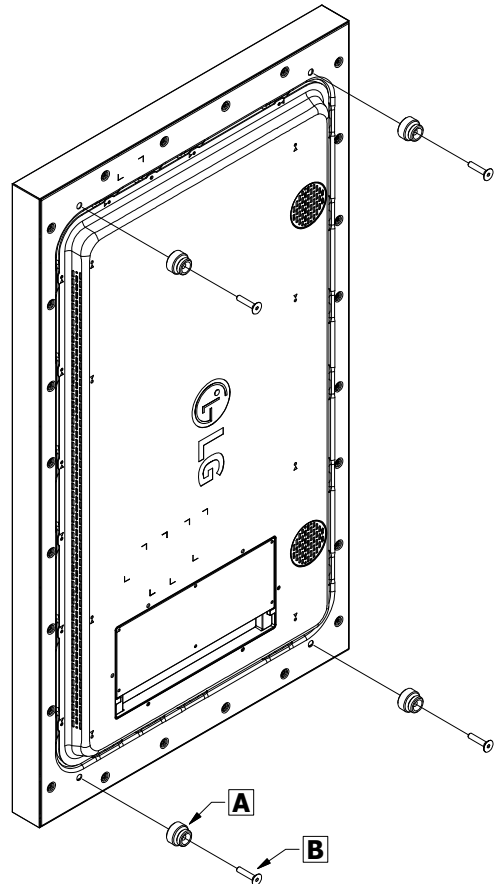
SCREWS BAG

A	B	C	D
			
(x 4)	(x 4)	(x 8)	(x 1)

PORTRAIT



SOCKET ASSEMBLY



USE 4 HOLES ABOVE AND 4 HOLES BELOW FOR WALL FIXING (INDICATED IN RED).

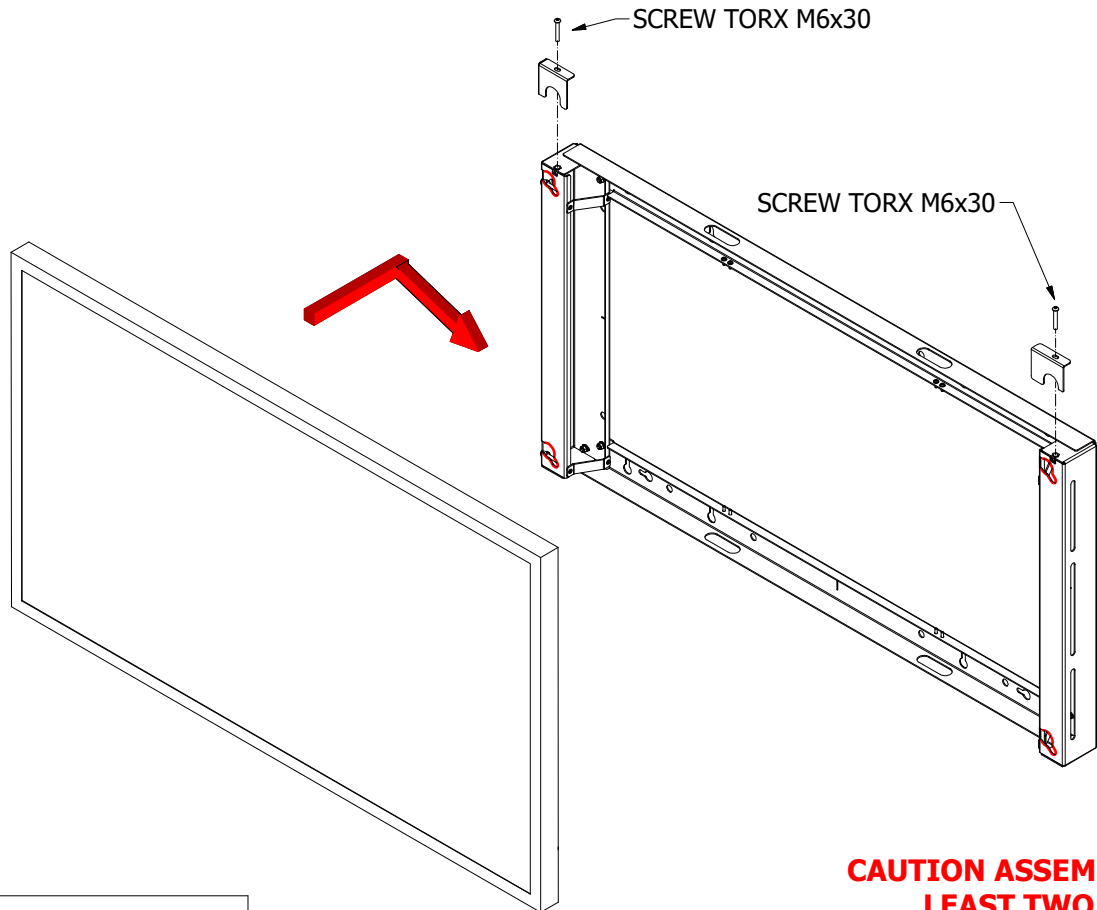
ATTENTION DANGER

ANCHORS ARE NOT SUPPLIED.

THE ANCHORS MUST BE CHOSEN BY THE INSTALLER ON THE BASIS OF THE FIXING WALL, THE INSTALLATION PLACE AND THE WEIGHT TO BE SUPPORTED.

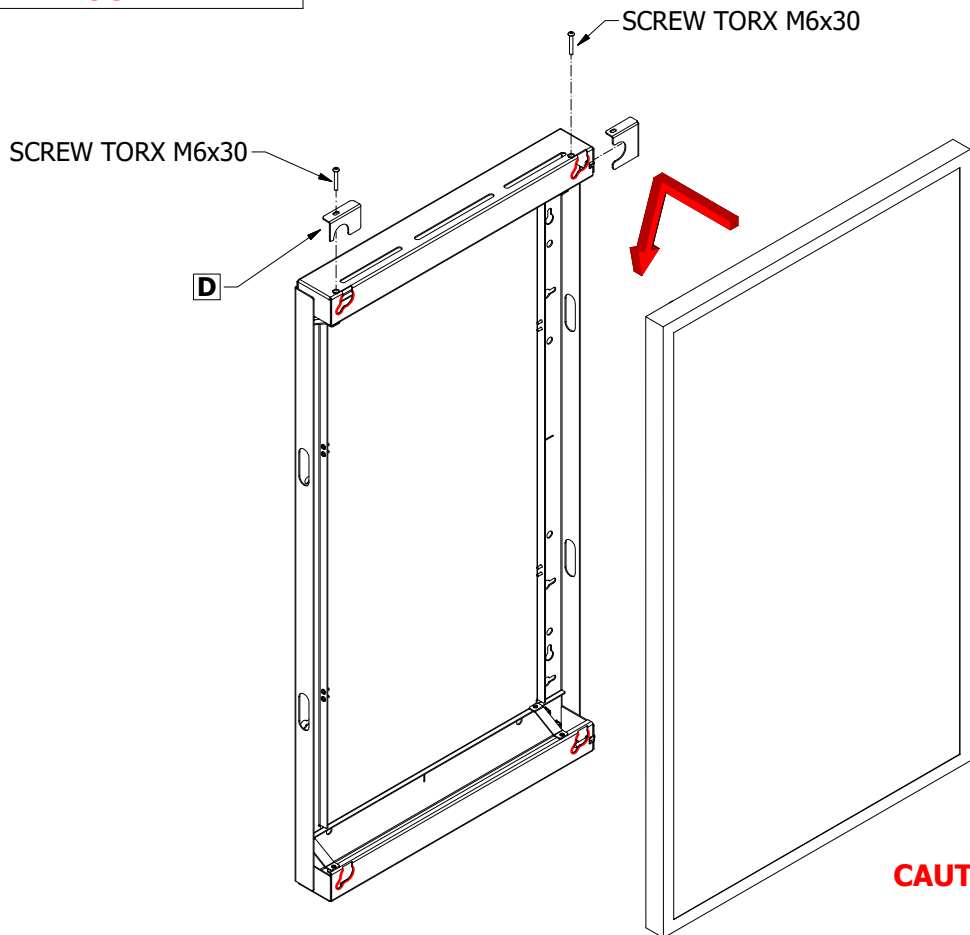
THE MANUFACTURER IS NOT RESPONSIBLE FOR INADEQUATE FIXINGS.

BRACKET FOR LG55



CAUTION ASSEMBLY WITH AT LEAST TWO PEOPLE

USE THE SAFETY CLOSURES INDICATED ONLY WHEN THE PERIMETER COVERS WILL NOT BE MOUNTED



CAUTION ASSEMBLY WITH AT LEAST TWO PEOPLE

COVER ASSEMBLY (OPTIONAL)

