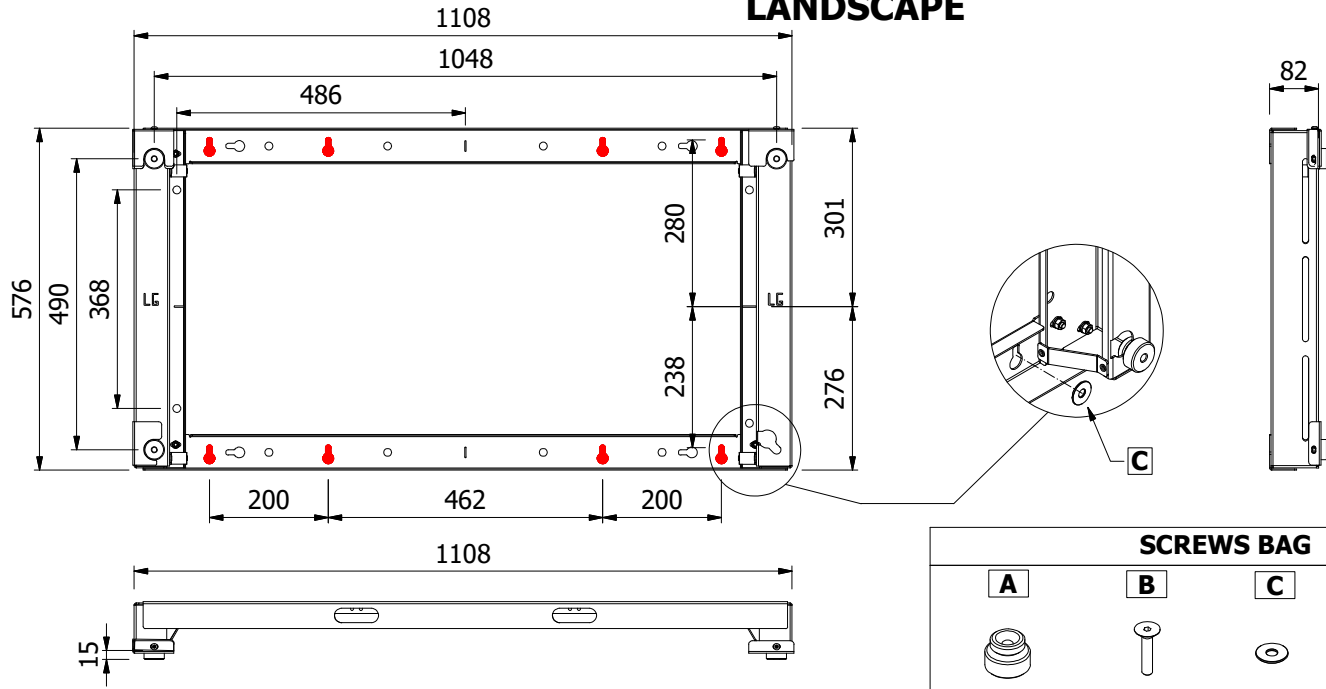
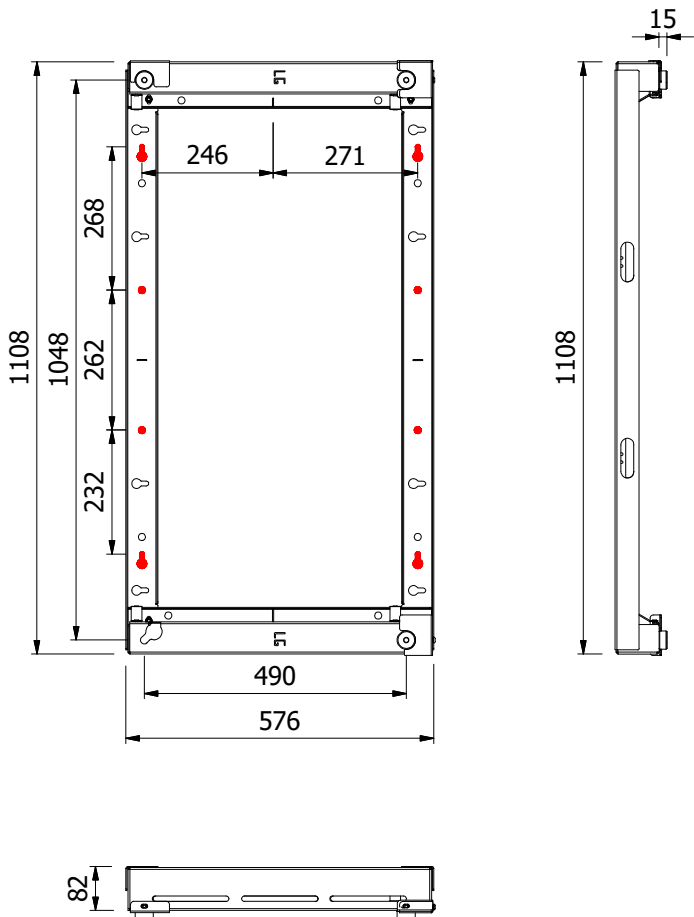


BRACKET FOR LG IP 49

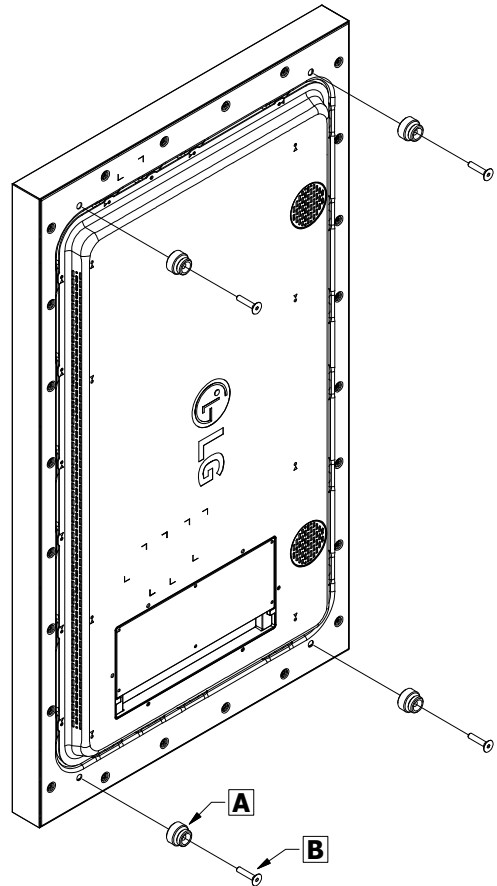
LANDSCAPE



PORTRAIT



SOCKET ASSEMBLY



USE 4 HOLES ABOVE AND 4 HOLES BELOW FOR WALL FIXING (INDICATED IN RED).

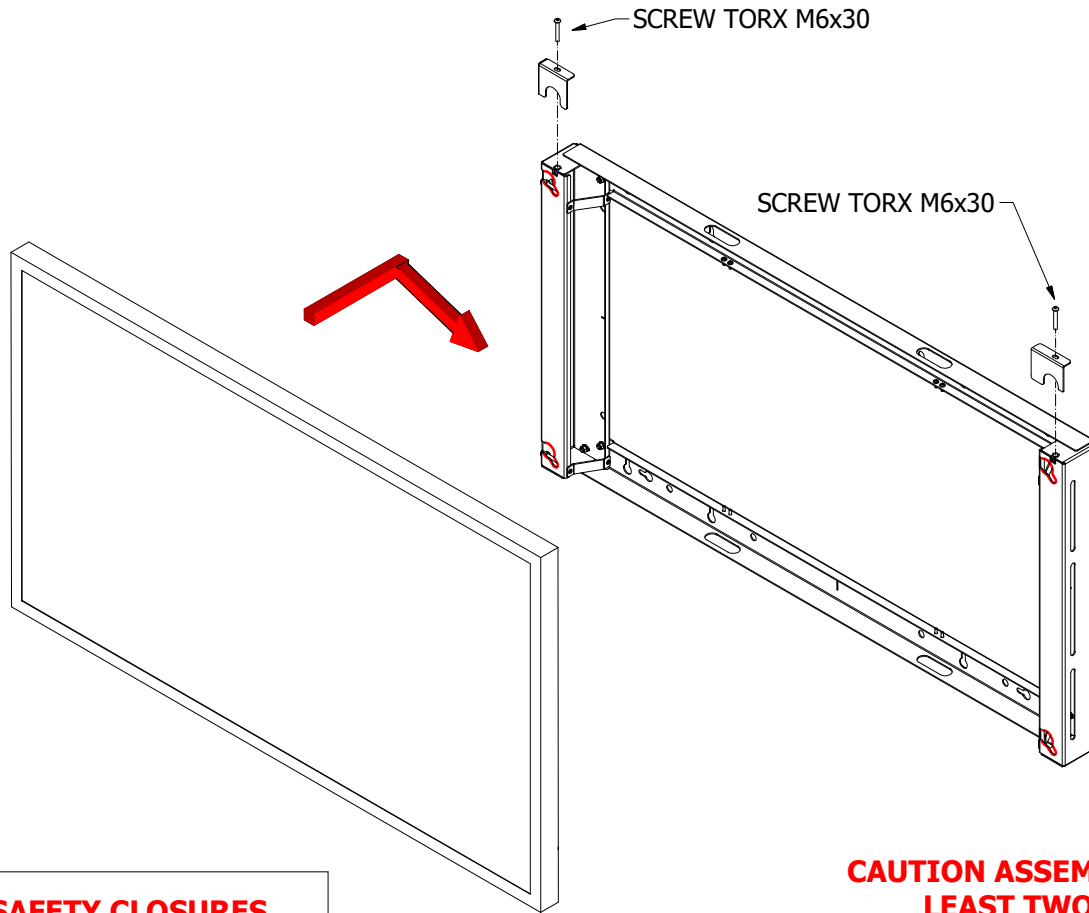
ATTENTION DANGER

ANCHORS ARE NOT SUPPLIED.

THE ANCHORS MUST BE CHOSEN BY THE INSTALLER ON THE BASIS OF THE FIXING WALL, THE INSTALLATION PLACE AND THE WEIGHT TO BE SUPPORTED.

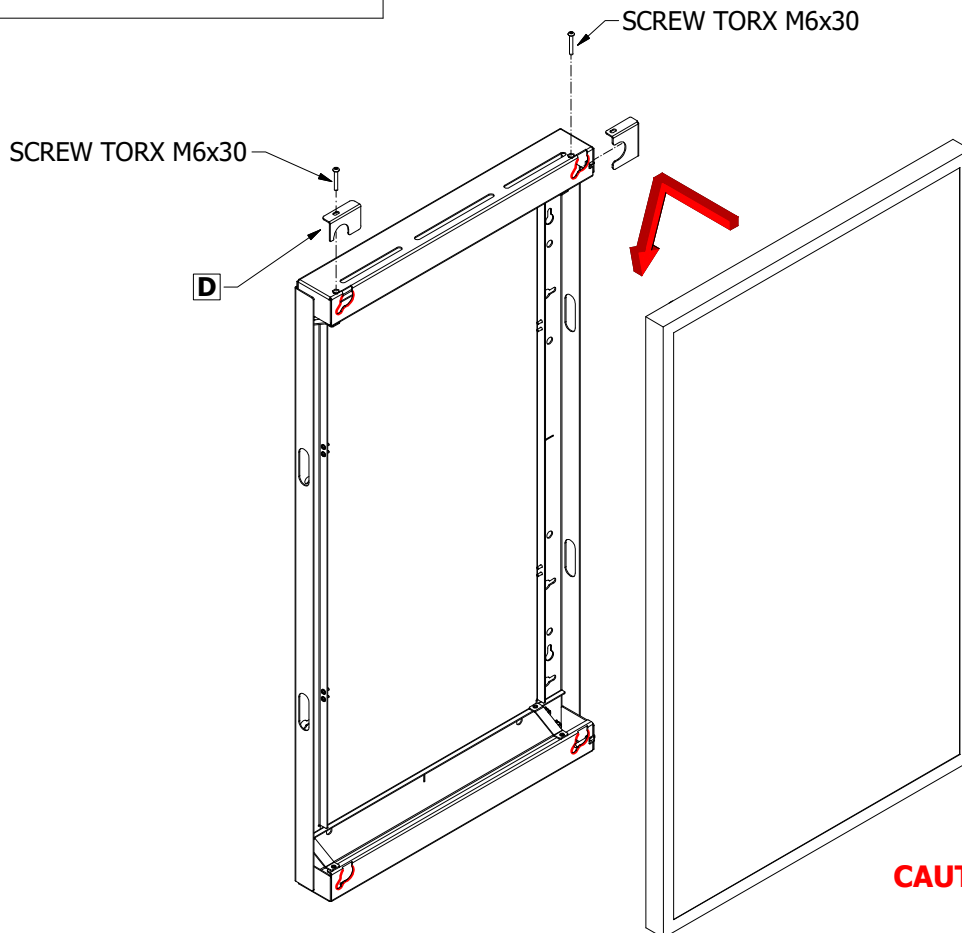
THE MANUFACTURER IS NOT RESPONSIBLE FOR INADEQUATE FIXINGS.

BRACKET FOR OH49



USE THE SAFETY CLOSURES INDICATED ONLY WHEN THE PERIMETER COVERS WILL NOT BE MOUNTED

CAUTION ASSEMBLY WITH AT LEAST TWO PEOPLE



CAUTION ASSEMBLY WITH AT LEAST TWO PEOPLE

COVER ASSEMBLY (OPTIONAL)

